



# HA-52&62

## AIR DRAINER (FOR LIQUID APP.)

### GENERAL FEATURES

**Pressure:**

Note that there may be pressure in the pipeline where the air blower is connected before servicing. If there is pressure in the system pressure it must be discharged safely.

**Temperature:**

Be careful of the temperature of the air blower before maintenance. May cause physical injuries. Wait for the temperature to return to normal.

**Operation:**

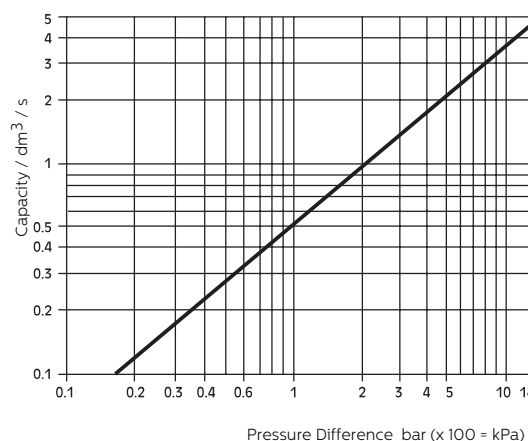
The HA-52 air drainer is used to remove air and gases from the system, especially in heating and cooling lines and other fluid liquid systems. Aeration is performed by a float and lever.

When air or other gases come in to the device, the valve opens and starts evacuation. When water arrives, it lifts the float and closes the orifice. Sealing against water is ensured. This cycle continues automatically.

WORKING CONDITIONS	
Max. Working Pressure	16 bar
Max. Working Temp.	200°C

**Installation:**

- The air drainer should be mounted at the highest point system.
- Do not use elbows on entry lines. Use one valve in front of the entrance, so you can isolate the air drainer from the system for repair and cleaning.
- It can be installed horizontally but it should not be preferred except in very obligatory situations.



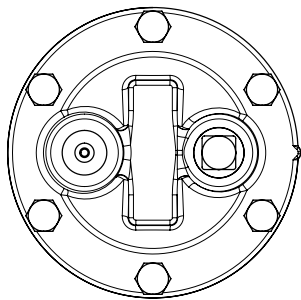
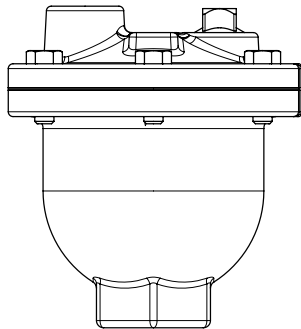
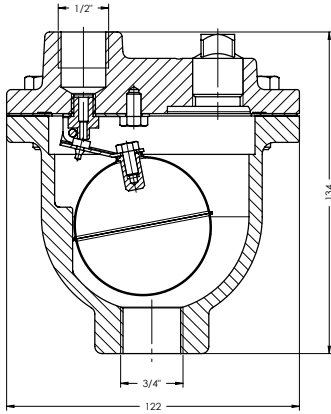
HA-62 Dia. (inc.) 3/4" x 1/2"
-------------------------------------

HA-52 Dia. (inc.) 1/2" x 1/2" 3/4" x 1/2"
--

# HA-52&62 AIR DRAINER (FOR LIQUID APP.)

## HA-52 STRUCTURE

HA-52/62  
TEKNİK RESMİ

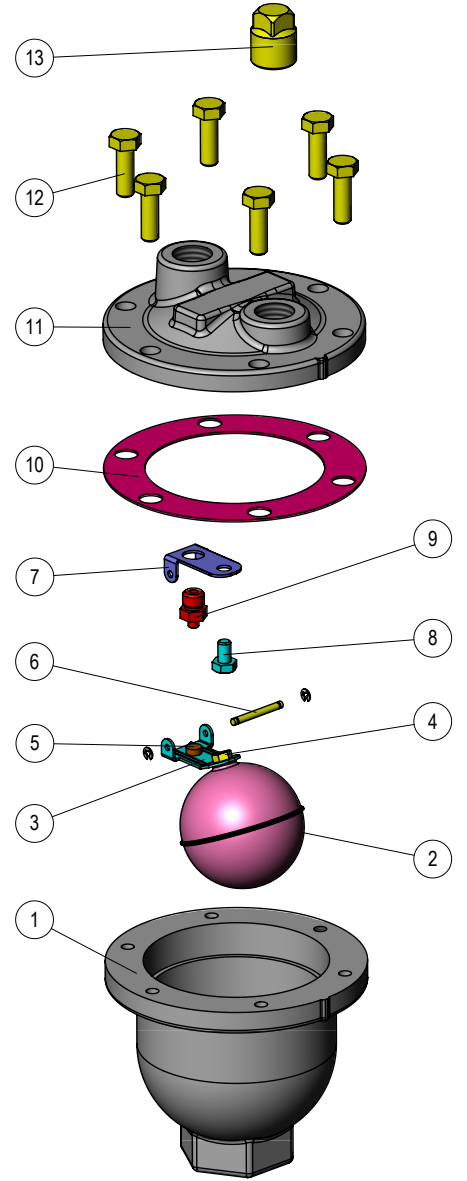


PART LIST		
No	Part Name	Material
1	Body	GGG 40 Cast Iron
2	Float	AISI 316 L Stainless Steel
3	Float Handle	AISI 304 Stainless Steel
4	Bolt A.K.B. M5	AISI 304 Stainless Steel
5	Liquid Drainer Orifice	Viton
6	Float Stem	AISI 304 Stainless Steel
7	Float Handle Part	AISI 304 Stainless Steel
8	Bolt A.K.B. M6	AISI 304 Stainless Steel
9	Float Seat	AISI 304 Stainless Steel
10	Cover Gasket	Klingerite Without RockWool
11	Cover	GGG 40 Cast Iron
12	Bolt A.K.B. M8	8.8
13	Balance Nut	St-37

DIAMETERS				
	Threaded			
	Inlet Dia.	Outlet Dia.	H(mm)	L(mm)
HA-52	3/4"	1/2"	122	134
HA-62	3/4"	1/2"	122	134

All measurements in the table are given in mm.  
All technical arrangements and changes to be made in the production process are the property of Ayvaz.

TECHNICAL SPECIFICATION	
Connection Type	Threaded
Connection	Preferably Vertical (From the bottom) / Horizontal

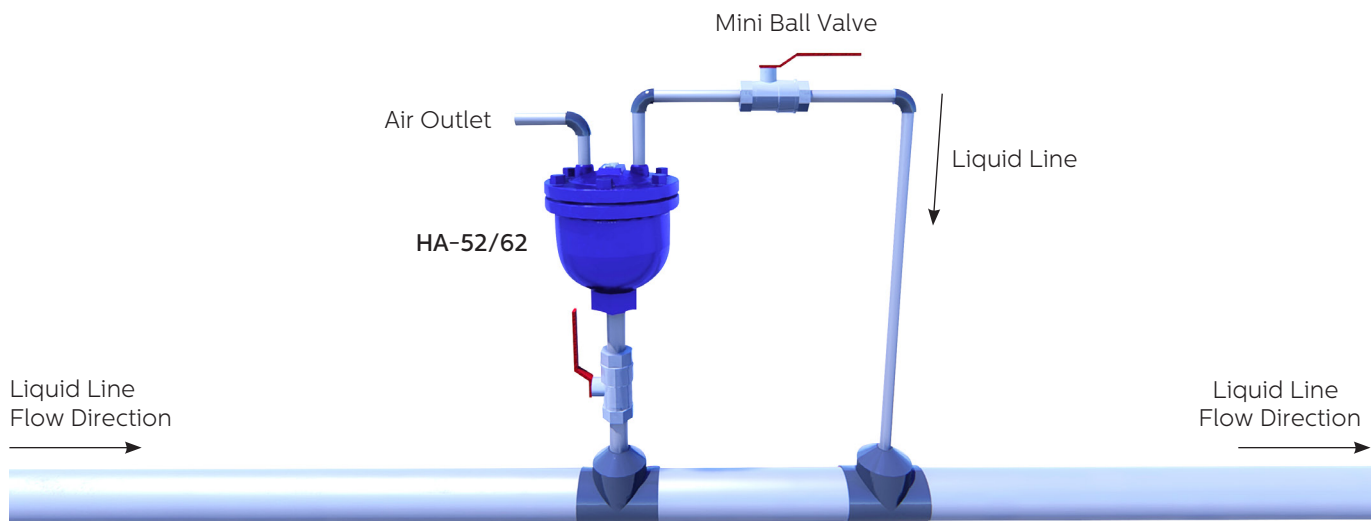


## HA-62 STRUCTURE

TECHNICAL SPECIFICATION	
Body and Cover	CF8M
Connection Type	Threaded
Connection	Preferably Vertical (From the bottom) / Horizontal

# HA-52&62 AIR DRAINER (FOR LIQUID APP.)

## 3D APPLICATION SAMPLE



As the air is discharged from the system into the atmosphere, the liquid is reintroduced into the system with HA-52/62.



### HEAD OFFICE - FACTORY

Atatürk Sanayi Bölgesi Hadımköy Mahallesi Mustafa İnan Caddesi No: 44 Arnavutköy - İSTANBUL  
 Tel: +90 212 771 01 45 (pbx) | Fax: +90 212 771 47 27  
 info@ayvaz.com | www.ayvaz.com

**Cona**  
**Caserta/Italy**  
 Tel: +39 0823 187 3988  
 rmolaro@ayvaz.com

**Ayvaz Germany**  
**Viernheim/Germany**  
 Tel: +49 62046014399  
 germany@ayvaz.com

**Ayvaz Ukraine**  
**Kiev/Ukraine**  
 Tel: +380 44 390 57 57  
 info@ayvaz.com.ua

**Tricorr**  
**Warsaw/Poland**  
 Tel: +48 530 030 810  
 +48 533 603 335  
 tricorr@tricorr.eu

**Ayvaz Azerbaijan**  
**Baku/Azerbaijan**  
 Tel: +99 (455) 579-84-32  
 ahayatov@ayvaz.com

**Ayvaz Egypt**  
**Cairo/Egypt**  
 Tel: +20 122 819 78 29  
 andrew.eid@ayvaz.com

**Ayvaz Gulf**  
**Dubai/U.A.E**  
 Tel: +971 563550822  
 +971 501306871  
 mideast@ayvaz.com

**Ayvaz China**  
**Ningbo/China**  
 Tel: +86 152 5830 7361  
 msahin@ayvaz.com

**Ayvaz Kazakhstan LLP**  
**Almaty/Kazakhstan**  
 Tel: +7 (727) 327 97 57  
 info\_kz@ayvaz.com

**Ayvaz N**  
**İsperih/Bulgaria**  
 Tel: +359 8431 27 32  
 office@ayvaz-n.eu

**Ayvaz Serbia**  
**Belgrade/Serbia**  
 Tel: +381 61 658 70 52  
 yakbiyik@ayvaz.com

**Ayvaz Vietnam**  
**HCMC/Vietnam**  
 Tel: +84 89 8508345

**Ayvaz Americas**  
**Rhode Island/USA**  
 Tel: +1 401 737 8380  
 americas@ayvaz.com