

# SAFETY VALVES TYPE D/C

## FEATURES

The D/C valve is a safety devices intended to protect installations against explosion due to possible overpressures. It opens automatically at the setting's pressure and closes when the pressure go back to normal. Spring valve type, with collected discharge pipe, the safety valves D/C is built in brass or in stainless steel with a PN60 pressure rating.

The D/C safety valve is standard delivered with a seal an FPM in-line tightness and a testing's knob. Type D/C valves have EC category IV approval and can be used on all compatible fluids. Calibration certificate and manufacturer's file, according to the decree of 20 November 2017 relating to the operation of pressure vessels, on request.

## AVAILABLE MODELS

D7/C : G 1/4" M - G 1/2" M (Brass).

D10/C : G 3/8" M - G 3/4" M and G 1/2" F (Brass/stainless steel).

D10/C : G 1/2" M - G 3/4" M and G 1/2" F (Brass/stainless steel).



## LIMITS OF USE

Type	D 7/C	D 10/C
Fluid PS :	60 bar	60 bar
<b>Maximum materials temperatures</b> : to be interpreted taking into account the operating pressure at the operating temperature.		
Material	Brass	Brass / Stainless steel
Fluid PS :	<b>FPM Port</b> : -20°C / +200°C	
Fluid PS :	<b>NBR Port</b> : -10°C / +100°C	
Fluid PS :	<b>EPDM Port</b> : -50°C / +150°C	
Fluid PS :	<b>Silicone Port</b> : -60°C / +200°C	
Fluid PS :	<b>PTFE Port</b> : -196°C / +250°C	
Fluid PS :	<b>KALREZ Port</b> : -20°C / +250°C (Brass) / -20°C / +275°C (Stainless steel)	
Fluid PS :	<b>Metal Port</b> : -195°C / +450°C (D10/C – Only Stainless steel)	

Information given as an indication only, and subject to possible modifications



SECTORIEL S.A.  
45 rue du Ruisseau  
38290 SAINT QUENTIN-FALLAVIER – FRANCE  
Tél : +33 4 74 94 90 70 - Fax : +33 4 74 94 13 95  
[www.sectoriel.com](http://www.sectoriel.com) / Email : [sectoriel@sectoriel.fr](mailto:sectoriel@sectoriel.fr)

Pages	1/11
Ref.	TDS28701 ENG
Rev.	04
Date	09/2023

# SAFETY VALVES TYPE D/C

## HYDRAULICS CHARACTERISTICS

Type	D 7/C	D 10/C
DN inlet-connection	G 1/4" M	G 3/8" M or G 1/2" M
DN outlet-connection	G 1/2" M	G 3/4" M and G 1/2" F
Port do (mm)	7	10
Surface (cm <sup>2</sup> )	0,385	0,785
Lifted (mm)	2	4
Flow coefficient	0,85	0,77 / 0,86 (if pdo > 3 bar)
Flow coefficient ATEX Ex 2 G c	0,85	0,77 / 0,86 (if pdo > 3 bar)
Flow coefficient VIII Div.1	0,629	0,629
Flow coefficient CRN	0,629	0,629
Min. setting's pressure (bar)	0,3	0,3
Max. setting's pressure (bar)	60	60
Maximum flow-rate at Pdo +10%		
Closing pressure at Pdo -10%		
<u>Pdo</u> : Opening start pressure		

## DIRECTIVES AND MANUFACTURING STANDARDS

OBJET	Standard	O.N.
Pressure Equipment Directive 2014/68/EC	Catégorie IV	CE 0036
ATEX Directive	Ex II 2 G/D c	CE 0036
Design	ISO 4126-1	
US' approval	ASME VIII Division 1 (40 bar)	
Canadian's approval	CRN (40 bar)	
Russian's approval	GOST-R	
BSP thread	ISO 228	
<b>CERTIFICATE OF CALIBRATION – TEST AND MATERIAL</b>		
Certificate according to EN 10 204 2.2 of calibration and conformity in standard with engraving of the serial number on the valve.		

Information given as an indication only, and subject to possible modifications



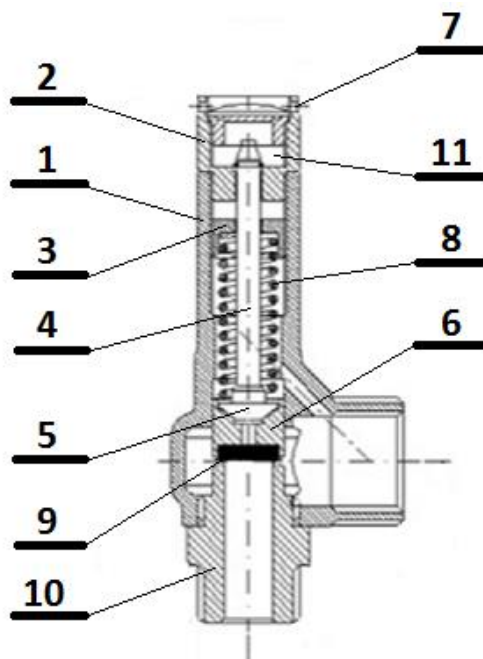
SECTORIEL S.A.  
45 rue du Ruisseau  
38290 SAINT QUENTIN-FALLAVIER – FRANCE  
Tél : +33 4 74 94 90 70 - Fax : +33 4 74 94 13 95  
[www.sectoriel.com](http://www.sectoriel.com) / Email : sectoriel@sectoriel.fr

Pages	2/11
Ref.	TDS28701 ENG
Rev.	04
Date	09/2023

# SAFETY VALVES TYPE D/C

## CONSTRUCTION

No.	Name	Brass version	Stainless steel version
1	Body	Brass CW 614 N	Stainless steel forge 1.4401
2	Test knob	Brass CW 614 N	Stainless steel forge 1.4401
3	Adjusting screw	Brass CW 614 N	Stainless steel forge 1.4401
4	Stem	Brass CW 614 N	Stainless steel forge 1.4401
5	Disc	Brass CW 614 N	Stainless steel forge 1.4401
6	Seat	Brass CW 614 N	Stainless steel forge 1.4401
7	Seal	Brass CW 614 N	Stainless steel forge 1.4401
8	Spring	C 72 UNI 3823	Stainless steel forge AISI 302
9	Seat's gasket	FPM	FPM/NBR/EPDM/Silicone/PTFE/KALREZ/METAL
10	Inlet nozzle	Brass CW 614 N	Stainless steel forge 1.4401
11	Plate	Brass CW 614 N	Stainless steel forge 1.4401



Désignation	Version Laiton (Kg)	Version Inox (Kg)
D 7/C	0,330	
D 10/C	0,330	

Information given as an indication only, and subject to possible modifications

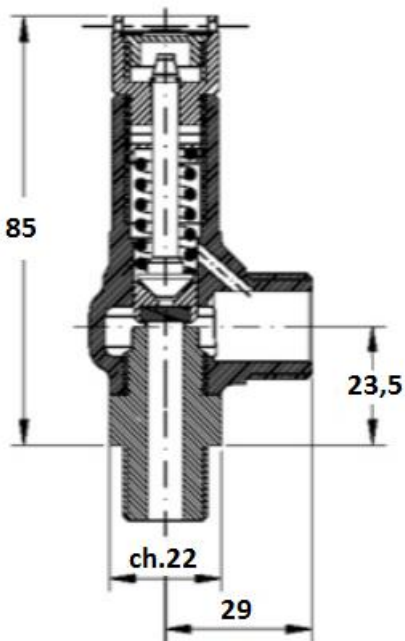
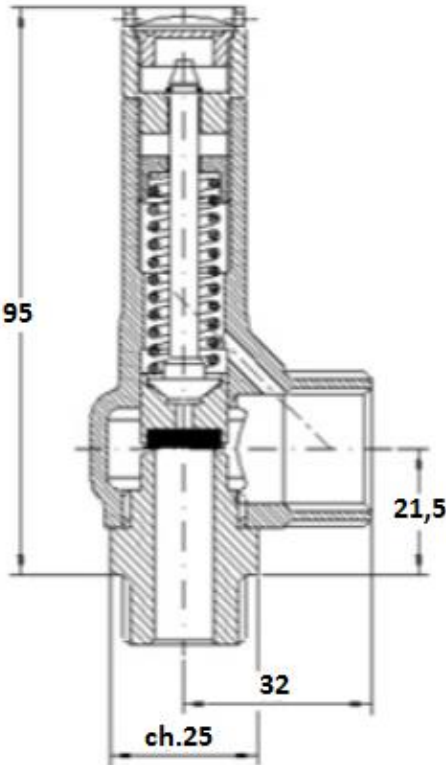


SECTORIEL S.A.  
 45 rue du Ruisseau  
 38290 SAINT QUENTIN-FALLAVIER – FRANCE  
 Tél : +33 4 74 94 90 70 - Fax : +33 4 74 94 13 95  
[www.sectoriel.com](http://www.sectoriel.com) / Email : sectoriel@sectoriel.fr

Pages	3/11
Ref.	TDS28701 ENG
Rev.	04
Date	09/2023

# SAFETY VALVES TYPE D/C


## DIMENSIONS (mm)

D 7/C	D 10/C
	

## INSTALLATION

The D/C safety valve must be installed as closely as possible to the capacity to be protected. It must be always settled in vertical position. No valve must be installed between the capacity to be protected and the safety valve. No foreign body has to block the discharge's pipe of the valve. The exhaust must be connected to a without counter's pressure discharge's pipe leading to a safe space. The valve does not have to support the exhaust's piping. The assembly and the maintenance of the valve must be made according to the government's rule and according to the instruction's supplied with the device

Information given as an indication only, and subject to possible modifications

	SECTORIEL S.A. 45 rue du Ruisseau 38290 SAINT QUENTIN-FALLAVIER – FRANCE Tél : +33 4 74 94 90 70 - Fax : +33 4 74 94 13 95 <a href="http://www.sectoriel.com">www.sectoriel.com</a> / Email : sectoriel@sectoriel.fr	Pages	4/11
	Ref.	TDS28701 ENG	
	Rev.	04	
	Date	09/2023	


# SAFETY VALVES TYPE D/C

## COMPRESSED AIR'S FLOWRATE in Nm<sup>3</sup>/h at 0°C

According to ISO 4126-1 standard

Type	D7/C	D10/C	Type	D7/C	D10/C	Type	D7/C	D10/C
P (bar)	Nm <sup>3</sup> /h		P (bar)	Nm <sup>3</sup> /h		P (bar)	Nm <sup>3</sup> /h	
0,5	35	64	20,5	524	1082	40,5	1014	2092
1	47	88	21	537	1107	41	1026	2117
1,5	59	114	21,5	549	1132	41,5	1039	2143
2	71	141	22	561	1157	42	1051	2168
2,5	83	169	22,5	573	1183	42,5	1063	2193
3	96	197	23	586	1208	43	1075	2218
3,5	108	223	23,5	598	1233	43,5	1088	2244
4	120	248	24	610	1258	44	1100	2269
4,5	132	273	24,5	622	1284	44,5	1112	2294
5	145	299	25	635	1309	45	1124	2319
5,5	157	324	25,5	647	1334	45,5	1137	2345
6	169	349	26	659	1360	46	1149	2370
6,5	181	374	26,5	671	1385	46,5	1161	2395
7	194	400	27	684	1410	47	1173	2420
7,5	206	425	27,5	696	1435	47,5	1186	2446
8	218	450	28	708	1461	48	1198	2471
8,5	230	475	28,5	720	1486	48,5	1210	2496
9	243	501	29	732	1511	49	1222	2522
9,5	255	526	29,5	745	1536	49,5	1235	2547
10	267	551	30	757	1562	50	1247	2572
10,5	279	576	30,5	769	1587	50,5	1259	2597
11	292	602	31	781	1612	51	1271	2623
11,5	304	627	31,5	794	1637	51,5	1284	2648
12	316	652	32	806	1663	52	1296	2673
12,5	328	677	32,5	818	1688	52,5	1308	2698
13	341	703	33	830	1713	53	1320	2724
13,5	353	728	33,5	843	1738	53,5	1333	2749
14	365	753	34	855	1764	54	1345	2774
14,5	377	779	34,5	867	1789	54,5	1357	2799
15	390	804	35	879	1814	55	1369	2825
15,5	402	829	35,5	892	1839	55,5	1381	2850
16	414	854	36	904	1865	56	1394	2875
16,5	426	880	36,5	916	1890	56,5	1406	2900
17	439	905	37	928	1915	57	1418	2926
17,5	451	930	37,5	941	1941	57,5	1430	2951
18	463	955	38	953	1966	58	1443	2976
18,5	475	981	38,5	965	1991	58,5	1455	3002
19	488	1006	39	977	2016	59	1467	3027
19,5	500	1031	39,5	990	2042	59,5	1479	3052
20	512	1056	40	1002	2067	60	1492	3077

Information given as an indication only, and subject to possible modifications

	SECTORIEL S.A. 45 rue du Ruisseau 38290 SAINT QUENTIN-FALLAVIER – FRANCE Tél : +33 4 74 94 90 70 - Fax : +33 4 74 94 13 95 <a href="http://www.sectoriel.com">www.sectoriel.com</a> / Email : sectoriel@sectoriel.fr	Pages	5/11
		Ref.	TDS28701 ENG
		Rev.	04
		Date	09/2023


# SAFETY VALVES TYPE D/C

## COMPRESSED AIR'S FLOWRATE in l/min to 0°C

According to ISO 4126-1 standard.

Type	D7/C	D10/C	Type	D7/C	D10/C	Type	D7/C	D10/C
P (bar)	l/min		P (bar)	l/min		P (bar)	l/min	
0,5	575	1062	20,5	8739	18027	40,5	16902	34868
1	779	1473	21	8943	18448	41	17106	35289
1,5	983	1901	21,5	9147	18869	41,5	17310	35710
2	1187	2347	22	9351	19290	42	17514	36131
2,5	1392	2811	22,5	9555	19711	42,5	17719	36552
3	1596	3292	23	9759	20133	43	17923	36973
3,5	1800	3713	23,5	9963	20554	43,5	18127	37394
4	2004	4134	24	10167	20975	44	18331	37815
4,5	2208	4555	24,5	10371	21396	44,5	18535	38236
5	2412	4976	25	10575	21817	45	18739	38657
5,5	2616	5397	25,5	10780	22238	45,5	18943	39079
6	2820	5818	26	10984	22659	46	19147	39500
6,5	3024	6239	26,5	11188	23080	46,5	19351	39921
7	3228	6660	27	11392	23501	47	19555	40342
7,5	3432	7081	27,5	11596	23922	47,5	19759	40763
8	3636	7502	28	11800	24343	48	19963	41184
8,5	3841	7923	28,5	12004	24764	48,5	20168	41605
9	4045	8344	29	12208	25185	49	20372	42026
9,5	4249	8765	29,5	12412	25606	49,5	20576	42447
10	4453	9186	30	12616	26027	50	20780	42868
10,5	4657	9607	30,5	12820	26448	50,5	20984	43289
11	4861	10028	31	13024	26869	51	21188	43710
11,5	5065	10449	31,5	13229	27290	51,5	21392	44131
12	5269	10870	32	13433	27711	52	21596	44552
12,5	5473	11291	32,5	13637	28132	52,5	21800	44973
13	5677	11712	33	13841	28553	53	22004	45394
13,5	5881	12133	33,5	14045	28974	53,5	22208	45815
14	6086	12554	34	14249	29395	54	22413	46236
14,5	6290	12975	34,5	14453	29816	54,5	22617	46657
15	6494	13396	35	14657	30237	55	22821	47078
15,5	6698	13817	35,5	14861	30658	55,5	23025	47499
16	6902	14238	36	15065	31079	56	23229	47920
16,5	7106	14659	36,5	15269	31500	56,5	23433	48341
17	7310	15080	37	15474	31921	57	23637	48762
17,5	7514	15501	37,5	15678	32342	57,5	23841	49183
18	7718	15922	38	15882	32763	58	24045	49604
18,5	7922	16343	38,5	16086	33184	58,5	24249	50025
19	8126	16764	39	16290	33605	59	24453	50446
19,5	8330	17185	39,5	16494	34026	59,5	24657	50867
20	8535	17606	40	16698	34447	60	24862	51288

Information given as an indication only, and subject to possible modifications

	SECTORIEL S.A. 45 rue du Ruisseau 38290 SAINT QUENTIN-FALLAVIER – FRANCE Tél : +33 4 74 94 90 70 - Fax : +33 4 74 94 13 95 <a href="http://www.sectoriel.com">www.sectoriel.com</a> / Email : <a href="mailto:sectoriel@sectoriel.fr">sectoriel@sectoriel.fr</a>	Pages	6/11
		Ref.	TDS28701 ENG
		Rev.	04
		Date	09/2023


# SAFETY VALVES TYPE D/C

## WATER'S FLOWRATE in m<sup>3</sup>/h at 20°C

According to ISO 4126-1 standard.

Type	D7/C	D10/C	Type	D7/C	D10/C	Type	D7/C	D10/C
P (bar)	m <sup>3</sup> /h		P (bar)	m <sup>3</sup> /h		(bar)	m <sup>3</sup> /h	
<b>0,5</b>	0,5	1,01	<b>20,5</b>	3,18	6,49	<b>40,5</b>	4,48	9,12
<b>1</b>	0,7	1,43	<b>21</b>	3,22	6,57	<b>41</b>	4,50	9,18
<b>1,5</b>	0,86	1,76	<b>21,5</b>	3,26	6,65	<b>41,5</b>	4,53	9,24
<b>2</b>	0,99	2,03	<b>22</b>	3,30	6,73	<b>42</b>	4,56	9,29
<b>2,5</b>	1,11	2,27	<b>22,5</b>	3,34	6,80	<b>42,5</b>	4,58	9,35
<b>3</b>	1,22	2,48	<b>23</b>	3,37	6,88	<b>43</b>	4,61	9,40
<b>3,5</b>	1,32	2,68	<b>23,5</b>	3,41	6,95	<b>43,5</b>	4,64	9,46
<b>4</b>	1,41	2,87	<b>24</b>	3,45	7,02	<b>44</b>	4,66	9,51
<b>4,5</b>	1,49	3,04	<b>24,5</b>	3,48	7,10	<b>44,5</b>	4,69	9,56
<b>5</b>	1,57	3,21	<b>25</b>	3,52	7,17	<b>45</b>	4,72	9,62
<b>5,5</b>	1,65	3,36	<b>25,5</b>	3,55	7,24	<b>45,5</b>	4,74	9,67
<b>6</b>	1,72	3,51	<b>26</b>	3,59	7,31	<b>46</b>	4,77	9,72
<b>6,5</b>	1,79	3,66	<b>26,5</b>	3,62	7,38	<b>46,5</b>	4,80	9,78
<b>7</b>	1,86	3,79	<b>27</b>	3,65	7,45	<b>47</b>	4,82	9,83
<b>7,5</b>	1,93	3,93	<b>27,5</b>	3,69	7,52	<b>47,5</b>	4,85	9,88
<b>8</b>	1,99	4,06	<b>28</b>	3,72	7,59	<b>48</b>	4,87	9,93
<b>8,5</b>	2,05	4,18	<b>28,5</b>	3,75	7,65	<b>48,5</b>	4,90	9,99
<b>9</b>	2,11	4,30	<b>29</b>	3,79	7,72	<b>49</b>	4,92	10,04
<b>9,5</b>	2,17	4,42	<b>29,5</b>	3,82	7,79	<b>49,5</b>	4,95	10,09
<b>10</b>	2,22	4,53	<b>30</b>	3,85	7,85	<b>50</b>	4,97	10,14
<b>10,5</b>	2,28	4,65	<b>30,5</b>	3,88	7,92	<b>50,5</b>	5,00	10,19
<b>11</b>	2,33	4,76	<b>31</b>	3,92	7,98	<b>51</b>	5,02	10,24
<b>11,5</b>	2,38	4,86	<b>31,5</b>	3,95	8,05	<b>51,5</b>	5,05	10,29
<b>12</b>	2,44	4,97	<b>32</b>	3,98	8,11	<b>52</b>	5,07	10,34
<b>12,5</b>	2,49	5,07	<b>32,5</b>	4,01	8,17	<b>52,5</b>	5,10	10,39
<b>13</b>	2,54	5,17	<b>33</b>	4,04	8,24	<b>53</b>	5,12	10,44
<b>13,5</b>	2,58	5,27	<b>33,5</b>	4,07	8,30	<b>53,5</b>	5,14	10,49
<b>14</b>	2,63	5,36	<b>34</b>	4,10	8,36	<b>54</b>	5,17	10,54
<b>14,5</b>	2,68	5,46	<b>34,5</b>	4,13	8,42	<b>54,5</b>	5,19	10,59
<b>15</b>	2,72	5,55	<b>35</b>	4,16	8,48	<b>55</b>	5,22	10,63
<b>15,5</b>	2,77	5,65	<b>35,5</b>	4,19	8,54	<b>55,5</b>	5,24	10,68
<b>16</b>	2,81	5,74	<b>36</b>	4,22	8,60	<b>56</b>	5,26	10,73
<b>16,5</b>	2,86	5,82	<b>36,5</b>	4,25	8,66	<b>56,5</b>	5,29	10,78
<b>17</b>	2,90	5,91	<b>37</b>	4,28	8,72	<b>57</b>	5,31	10,83
<b>17,5</b>	2,94	6,00	<b>37,5</b>	4,31	8,78	<b>57,5</b>	5,33	10,87
<b>18</b>	2,98	6,08	<b>38</b>	4,33	8,84	<b>58</b>	5,36	10,92
<b>18,5</b>	3,02	6,17	<b>38,5</b>	4,36	8,90	<b>58,5</b>	5,38	10,97
<b>19</b>	3,07	6,25	<b>39</b>	4,39	8,95	<b>59</b>	5,40	11,01
<b>19,5</b>	3,11	6,33	<b>39,5</b>	4,42	9,01	<b>59,5</b>	5,42	11,06
<b>20</b>	3,14	6,41	<b>40</b>	4,45	9,07	<b>60</b>	5,45	11,11

Information given as an indication only, and subject to possible modifications

	SECTORIEL S.A. 45 rue du Ruisseau 38290 SAINT QUENTIN-FALLAVIER – FRANCE Tél : +33 4 74 94 90 70 - Fax : +33 4 74 94 13 95 <a href="http://www.sectoriel.com">www.sectoriel.com</a> / Email : sectoriel@sectoriel.fr	Pages	7/11
		Ref.	TDS28701 ENG
		Rev.	04
		Date	09/2023


# SAFETY VALVES TYPE D/C

## WATER'S FLOWRATE in Kg/h at 20°C

According to ISO 4126-1 standard.

Type	D7/C	D10/C	Type	D7/C	D10/C	Type	D7/C	D10/C
P (bar)	Kg/h		P (bar)	Kg/h		P (bar)	Kg/h	
0,5	497	1014	20,5	3184	6492	40,5	4475	9125
1	703	1434	21	3223	6571	41	4503	9181
1,5	861	1756	21,5	3261	6648	41,5	4530	9237
2	995	2028	22	3298	6725	42	4557	9292
2,5	1112	2267	22,5	3336	6801	42,5	4584	9347
3	1218	2483	23	3373	6876	43	4611	9402
3,5	1316	2682	23,5	3409	6951	43,5	4638	9457
4	1406	2868	24	3445	7024	44	4665	9511
4,5	1492	3042	24,5	3481	7097	44,5	4691	9565
5	1572	3206	25	3516	7169	45	4717	9618
5,5	1649	3363	25,5	3551	7241	45,5	4743	9672
6	1723	3512	26	3586	7311	46	4769	9725
6,5	1793	3656	26,5	3620	7381	46,5	4795	9777
7	1861	3794	27	3654	7450	47	4821	9830
7,5	1926	3927	27,5	3688	7519	47,5	4847	9882
8	1989	4056	28	3721	7587	48	4872	9934
8,5	2050	4180	28,5	3754	7655	48,5	4897	9986
9	2110	4302	29	3787	7721	49	4923	10037
9,5	2167	4419	29,5	3819	7788	49,5	4948	10088
10	2224	4534	30	3852	7853	50	4973	10139
10,5	2279	4646	30,5	3884	7919	50,5	4997	10189
11	2332	4756	31	3915	7983	51	5022	10240
11,5	2385	4862	31,5	3947	8047	51,5	5047	10290
12	2436	4967	32	3978	8111	52	5071	10340
12,5	2486	5069	32,5	4009	8174	52,5	5095	10389
13	2535	5170	33	4040	8237	53	5120	10439
13,5	2584	5268	33,5	4070	8299	53,5	5144	10488
14	2631	5365	34	4100	8361	54	5168	10537
14,5	2678	5460	34,5	4130	8422	54,5	5191	10585
15	2724	5553	35	4160	8483	55	5215	10634
15,5	2769	5645	35,5	4190	8543	55,5	5239	10682
16	2813	5735	36	4219	8603	56	5262	10730
16,5	2856	5824	36,5	4249	8663	56,5	5286	10778
17	2899	5912	37	4278	8722	57	5309	10825
17,5	2942	5998	37,5	4306	8780	57,5	5332	10873
18	2984	6083	38	4335	8839	58	5356	10920
18,5	3025	6167	38,5	4363	8897	58,5	5379	10967
19	3065	6250	39	4392	8954	59	5402	11014
19,5	3105	6332	39,5	4420	9012	59,5	5424	11060
20	3145	6412	40	4448	9068	60	5447	11106

Information given as an indication only, and subject to possible modifications

	SECTORIEL S.A. 45 rue du Ruisseau 38290 SAINT QUENTIN-FALLAVIER – FRANCE Tél : +33 4 74 94 90 70 - Fax : +33 4 74 94 13 95 <a href="http://www.sectoriel.com">www.sectoriel.com</a> / Email : <a href="mailto:sectoriel@sectoriel.fr">sectoriel@sectoriel.fr</a>	Pages	8/11
		Ref.	TDS28701 ENG
		Rev.	04
		Date	09/2023



# SAFETY VALVES TYPE D/C

## REGULATION MOUNTING AND MAINTENANCE

### 1 - DESCRIPTION

**1.1** The spring safety valve NGI suits for the steam, the gases and the liquids. They are the result of decades of experience on numerous applications and answer widely their function of ultimate protection of pressure devices. They are capable of guaranteeing that the internal pressure does not exceed the authorized maximum, even if other organs of safety installed upstream show themselves failing, as far as they were correctly sized.

**1.2** The NGI safety valve is made in brass or steel stainless. All the valves are spring-loaded and filled in factory to assure a maximum safety and a maintenance minimum.

### 2 - GARANTIE

**2.1** Before any relation with our services, identify the type of valve as well as the individual number engraved on the body of the valve.

**2.2** Safety valve NGI is guaranteed 24 months from delivery date. The defective recognized parts by an expertise in our factory will be replaced at our expense. The complaints engendered by a misuse, a modification of the valve, by a flight further to the passage of impurities will not be taken into account.

### 3 - TRANSPORT, CHECK HAS RECEPTION AND STOKAGE

**3.1 CAUTION:** The safety valve can be damaged by the vibrations, the shocks and the contact with impurities. Therefore, the valve must be manipulated with precaution without removing the corks of protection before the installation, nor operating the test' knob.

**3.2** During the reception, verify:

- That the packaging is in good condition,
- That the delivered valve is in accordance with order,
- That the material was not damaged,
- That the valve is delivered with the certificate of calibration the number of which has to correspond to the number engraved on the body of the valve.

**3.3** It is recommended to install the valve from reception and not to leave it without use. If the material must be stored, it has to be made in a dry place shielded from the bad weather.

### 4 - PRECAUTIONS OF USE

**4.1** Before any installation, make sure that the installation is completely depressurized and brought at room temperature.

**4.2** Any regulation or any modification can be realized only by skilled technicians in safety valves.

### 4.3 ATTENTION ON TOXIC GASES


If the valve is installed on an acid's tank, wear gloves and glasses and any other necessary individual protection.

**4.4** The valve can be put into service only if it setting's pressure was set and certified by NGI. The setting's pressure certificate carries the mentions of the exact setting's pressure.

**4.5** When a valve with continuous service must be tested, make sure before that nobody stays in the direction of the discharge's pipe. Do not discharge in the atmosphere toxic, potentially explosive or flammable fluids. Plan before the test a testing's procedure.

**4.6** Do not modify the valve, neither break its seal, nor modify its setting's pressure.

Information given as an indication only, and subject to possible modifications

	SECTORIEL S.A. 45 rue du Ruisseau 38290 SAINT QUENTIN-FALLAVIER – FRANCE Tél : +33 4 74 94 90 70 - Fax : +33 4 74 94 13 95 <a href="http://www.sectoriel.com">www.sectoriel.com</a> / Email : <a href="mailto:sectoriel@sectoriel.fr">sectoriel@sectoriel.fr</a>	Pages	9/11
		Ref.	TDS28701 ENG
		Rev.	04
		Date	09/2023

# SAFETY VALVES TYPE D/C

.7 Do not create cold or hot thermal shock on the valve.

4.8 In case of dysfunction, consult immediately SECTORIEL or NGI.

4.9 **CAUTION:** IN CORROSIVE ENVIRONMENT ONLY STAINLESS STEEL VALVES MUST BE INSTALLED.

4.10 The type of connecting has to be in agreement with the class of piping of the installation.

4.11 We advise to select rather a valve with discharge pipe. If the safety valve discharges directly in the atmosphere, take care not to create injuries or damage to the environment. On request, it is possible to supply a valve with an opening's detector for the control command.

## 5 - **INSTALLATION**

5.1 Verify that the package was not damaged.

5.2 The spring safety valves must be settled in vertical position with test knob upward.

5.3 By being careful not to damage impacts, remove the corks of protection and install the valve on the installation following its connection's type.

5.4 It is forbidden to insert a isolating's valve between the capacity to be protected and the safety valve.

5.5 It is forbidden to insert a pipe's reduction limiting the flow to be discharged between the capacity to be protected and the safety valve.

5.6 For valves with discharge's pipe, watch that the exhaust piping discharges in a safe area without danger for the staff and the environment.

5.7 If the discharge pipe of the valve must be linked with a piping, watch over this one being the shortest possible to create the minimum counter's pressure.

5.8 The discharge's pipe linked on a discharge's pipe safety valve must not be supported by the safety valve. Should the opposite occur, leakage could appears.

## 6 - **CLEANING AND LUBRICATION**

6.1 NGI safety valve do not requires any lubrication.


6.2 Maintain the valve clean and in working order. Verify in particular that the discharge's pipe remains free and that no foreign body blocks the discharge's piping.

## 7 - **CURRENT MAINTENANCE**

7.1 The safety valve is an element of sensitive safety which must be periodically verified. In case of noticed dysfunction, contact SECTORIEL or NGI.

7.2 **CAUTION:** NGI and SECTORIEL are not responsible any more for proper functioning of the valve if this one was unsettled or modified or re-spring-loaded by a non NGI appointed person.

Information given as an indication only, and subject to possible modifications

	SECTORIEL S.A. 45 rue du Ruisseau 38290 SAINT QUENTIN-FALLAVIER – FRANCE Tél : +33 4 74 94 90 70 - Fax : +33 4 74 94 13 95 <a href="http://www.sectoriel.com">www.sectoriel.com</a> / Email : sectoriel@sectoriel.fr	Pages	10/11
		Ref.	TDS28701 ENG
		Rev.	04
		Date	09/2023

# SAFETY VALVES TYPE D/C

---


## 8 - PERIODICAL INSPECTION

**8.1** To make sure that the safety valve is always operational, this one must be periodically tested. To realize this test, the lever or the test knob must be manually activated in a brief way. To protect the installation during this test, the test's pressure has to stay between 80 and 90 % of the setting's pressure. The valve must be widely opened to allow a significant flow.

After the valve closes back, make sure that the seat is tight again. In the starting up of a new installation, it is recommended to make regularly this test.

**8.2** For uses on gases or steam on the installations located on the French territory, conform to the French regulation of December 4th, 1998 concerning the surveillance of safety valves.

Information given as an indication only, and subject to possible modifications

	SECTORIEL S.A. 45 rue du Ruisseau 38290 SAINT QUENTIN-FALLAVIER – FRANCE Tél : +33 4 74 94 90 70 - Fax : +33 4 74 94 13 95 <a href="http://www.sectoriel.com">www.sectoriel.com</a> / Email : <a href="mailto:sectoriel@sectoriel.fr">sectoriel@sectoriel.fr</a>	Pages	11/11
		Ref.	TDS28701 ENG
		Rev.	04
		Date	09/2023