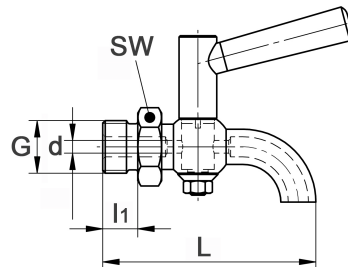


drain cock, bent outlet

PTFE sealing

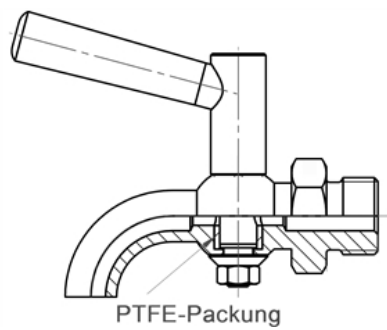


technical product sheet

Griff	G	l1	L	d	SW	PN
Polypropylen	1/8"	10	63	2,5	22	25
Polypropylen	1/4"	12	63	2,5	22	25
Polypropylen	3/8"	12	71	4,0	22	25
Polypropylen	1/2"	20	135	9,0	41	25
Polypropylen	3/4"	16	110	8,0	32	10
Polypropylen	1"	20	135	9,0	41	10
VA abflammbar	1/8"	10	63	2,5	22	25
VA abflammbar	1/4"	12	63	2,5	22	25
VA abflammbar	3/8"	12	71	4,0	22	25
VA abflammbar	1/2"	20	135	9,0	41	25
VA abflammbar	3/4"	16	110	8,0	32	10
VA abflammbar	1"	20	135	9,0	41	10

available material: 1.4571

Industrial valves > drain cocks > with bent outlet



Drain cock

Plug valve made of 1.4571

in PTFE-sealed design

PTFE virginial with food approval

Assembly means NSF-H1- / FDA-compliant

Continuous operating temperature 50°C

Optionally available in a flame-resistant version with a stainless steel handle.

