

762-763 WITH ACTREG PNEUMATIC ACTUATOR

FEATURES

The 762-763 + ADA ball valve is designed for the automatic opening / closing of pipes with medium pressure, non-loaded industrial fluids. The 762-763 valve is a full-bore split-body valve, EC, ATEX, fire safe-approved. Its size is standardised according to EN 558-1 series 27. The ISO 5211 mounting pad allows the actuator to be directly assembled. The ACTREG pneumatic motorisation is available in double and spring-return with numerous options.

AVAILABLE MODELS

762 : 1.0619 carbon steel body.

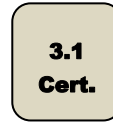
763 : 1.4408 stainless steel body.

DN 15 to DN 200 diameters.

DN 15 to DN 50 : PN16/40 RF flange connections.

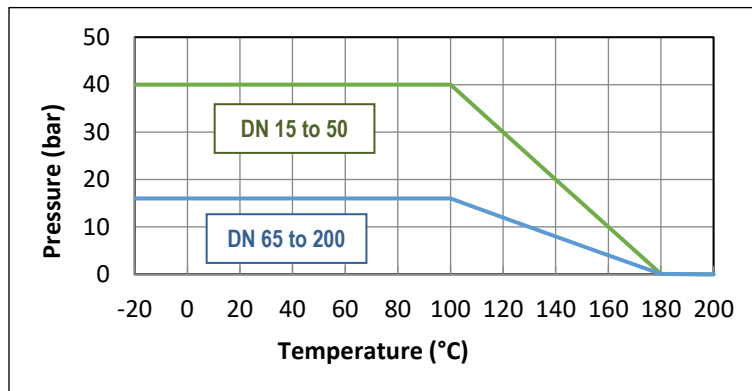
DN 65 to DN 200 PN16 RF flange connections.

Double and spring-return actuator.



LIMITS OF USE

Fluid pressure : PS	DN 15 to 50 : 40 bar (20°C) DN 65 to 200 : 16 bar (20°C)
Fluid temperature : WT°	-20°C +200°C
Ambient temperature	-30°C / +100°C
Motor compressed air	mini 6 bar / maxi 10 bar



DIRECTIVES AND MANUFACTURING STANDARD

OBJET	Standard	ON	OBJET	Standard
Pressure Equipment Directive 2014/68/EC	DN 15 and 20 : not subject		Final test	EN 12266
	DN 25 to 200 : category II	0035	Material certificate	EN 10204
Size	EN 12516-1		Steel grades	EN 1503-1
Flange dimensions	EN 1092-1		Face to face dimension	EN 558-1 série 27
Fire safe	API 607		Actuator pilot connection	NAMUR
Connection motorisation	ISO 5211		Switch box connection	VDI/VDE 3845
ATEX directive	II 2G/D Tx zones 1,2,21 and 22		SIL 3 level (the actuator alone)	EN 61508
	EN 13463-1			

Information given as an indication only, and subject to possible modification

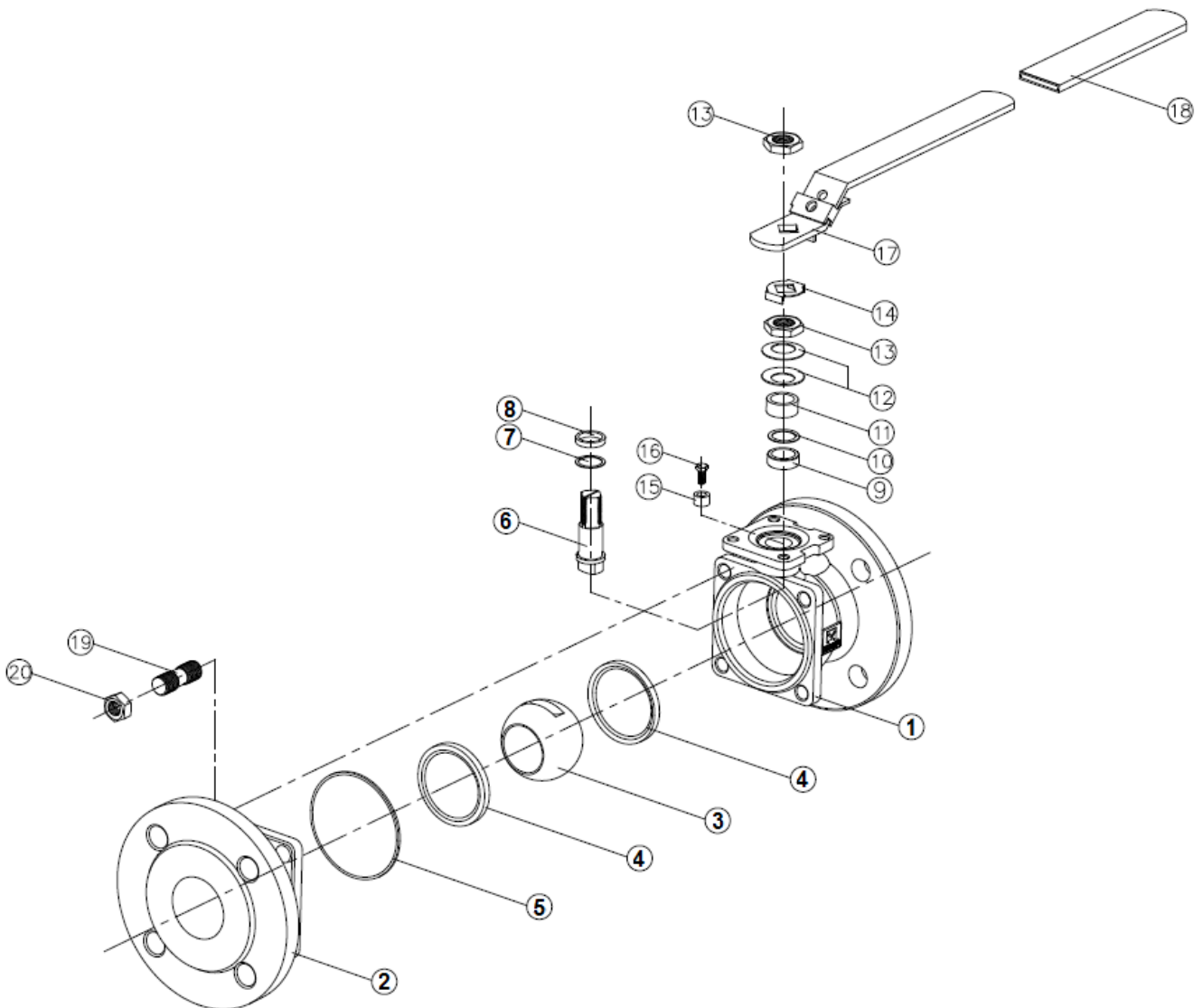


SECTORIEL S.A.
45 rue du Ruisseau
38290 SAINT QUENTIN-FALLAVIER – FRANCE
Tél : +33 4 74 94 90 70 - Fax : +33 4 74 94 13 95
www.sectoriel.com / courrier : sectoriel@sectoriel.fr

Pages	1/8
Ref.	FT762+ADA ENG
Rev.	0
Date	10/2020


762-763 WITH ACTREG PNEUMATIC ACTUATOR

CONSTRUCTION (DN15 to DN50)



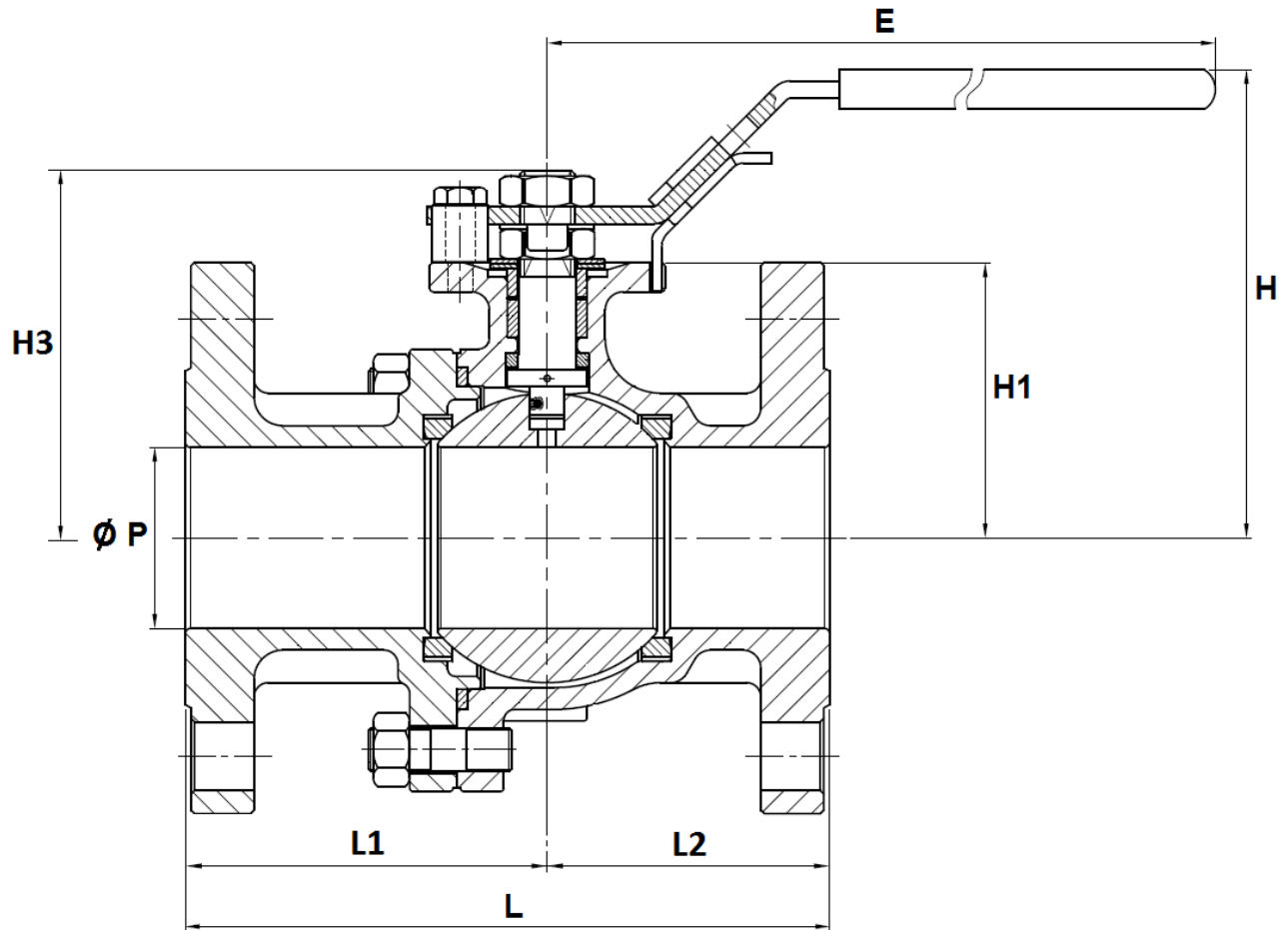
No.	Name	Carbon steel	Stainless steel	No.	Name	Carbon steel	Stainless steel
1	Body	1.0619 Steel	1.4408 SS	11	Packing gland	304 SS	
2	Ends	1.0619 Steel	1.4408 SS	12	Belleville washers	301 SS	
3	Ball	1.4408 Stainless steel		13	Nut	304 SS	
4	Seat	PTFE filled with 15% glass		14	Lock washer	304 SS	
5	Body gasket	Graphite		15	Pin	304 SS	
6	Stem	ASTM A276 316 SS		16	Pin screw	304 SS	
7	Ring	PTFE filled with 25% carbon		17	Handle	304 SS	
8	Ring	PTFE filled with 25% carbon		18	Handle cover	PVC	
9	P.E. Packing	Graphite		19	Stud	304 SS	
10	P.E. Packing	PTFE filled with 25% carbon		20	Nut	304 SS	

Information given as an indication only, and subject to possible modification

	SECTORIEL S.A. 45 rue du Ruisseau 38290 SAINT QUENTIN-FALLAVIER – FRANCE Tél : +33 4 74 94 90 70 - Fax : +33 4 74 94 13 95 www.sectoriel.com / courrier : sectoriel@sectoriel.fr	Pages	2/8
		Ref.	FT762+ADA ENG
		Rev.	0
		Date	10/2020

762-763 WITH ACTREG PNEUMATIC ACTUATOR

DIMENSIONS (mm) (DN15 to DN50)



DN	15	20	25	32	40	50
Ø P	15	20	24	30	38	50
L	115	120	125	130	140	150
L1	64,5	66,5	70,5	73	80	84,5
L2	50,5	53,5	54,5	57	60	65,5
E	158	158	196	196	245	261
H	76.5	79.1	92	96	121.1	127.6
H1	39	42.5	52	56	66	73
H3	53,5	56,5	70	73	88	94,5
Weight (kg)	2,3	3	4	5,5	7	9,3

Information given as an indication only, and subject to possible modification

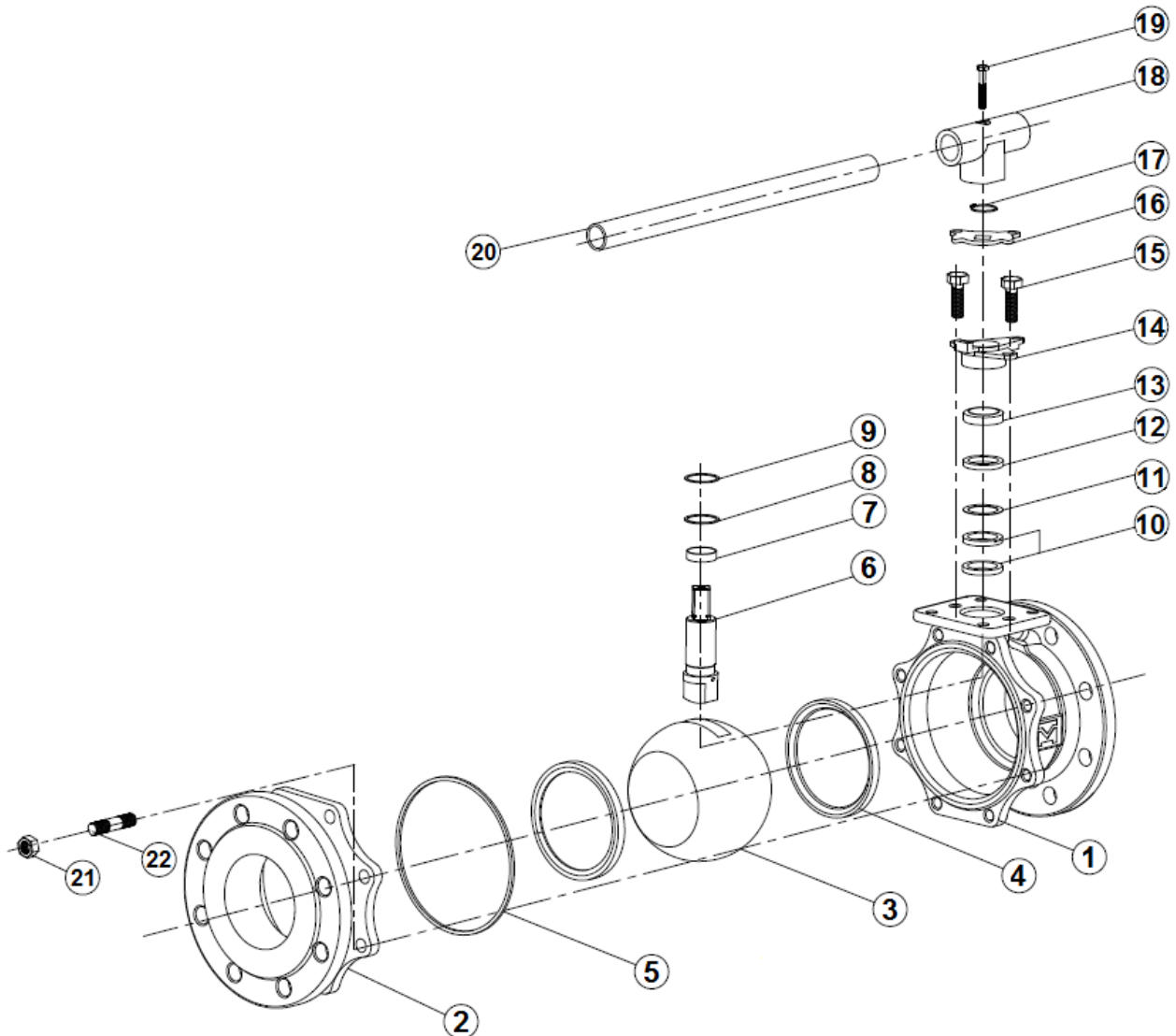


SECTORIEL S.A.
 45 rue du Ruisseau
 38290 SAINT QUENTIN-FALLAVIER – FRANCE
 Tél : +33 4 74 94 90 70 - Fax : +33 4 74 94 13 95
www.sectoriel.com / courrier : sectoriel@sectoriel.fr

Pages	3/8
Ref.	FT762+ADA ENG
Rev.	0
Date	10/2020

762-763 WITH ACTREG PNEUMATIC ACTUATOR

CONSTRUCTION (DN65 to DN100)



No.	Name	Carbon steel	Stainless steel	No.	Name	Steel	Sainless steel
1	Body	1.0619 steel	1.4408 SS	12	Ring	304 SS	
2	Ends	1.0619 steel	1.4408 SS	13	Ring	304 SS	
3	Ball	1.4408 SS		14	Packing Gland	1.4308 SS	
4	Seat	PTFE filled with 15% glass		15	Packing gland screw	304 SS	
5	Body gasket	Graphite		16	Pin	304 SS	
6	Stem	ASTM A276 316 SS		17	Circlips	304 SS	
7	Ring	PTFE filled with 25% carbon		18	Handle adaptor	1.4308 SS	
8	Ring	PTFE filled with 25% carbon		19	Lock screw	304 SS	
9	Ring	PTFE filled with 25% carbon		20	Nut	304 SS	
10	P.E. Packing	PTFE filled with carbon		21	Nut	304 SS	
11	P.E. Packing	PTFE filled with carbon		22	Stud	304 SS	

Information given as an indication only, and subject to possible modification

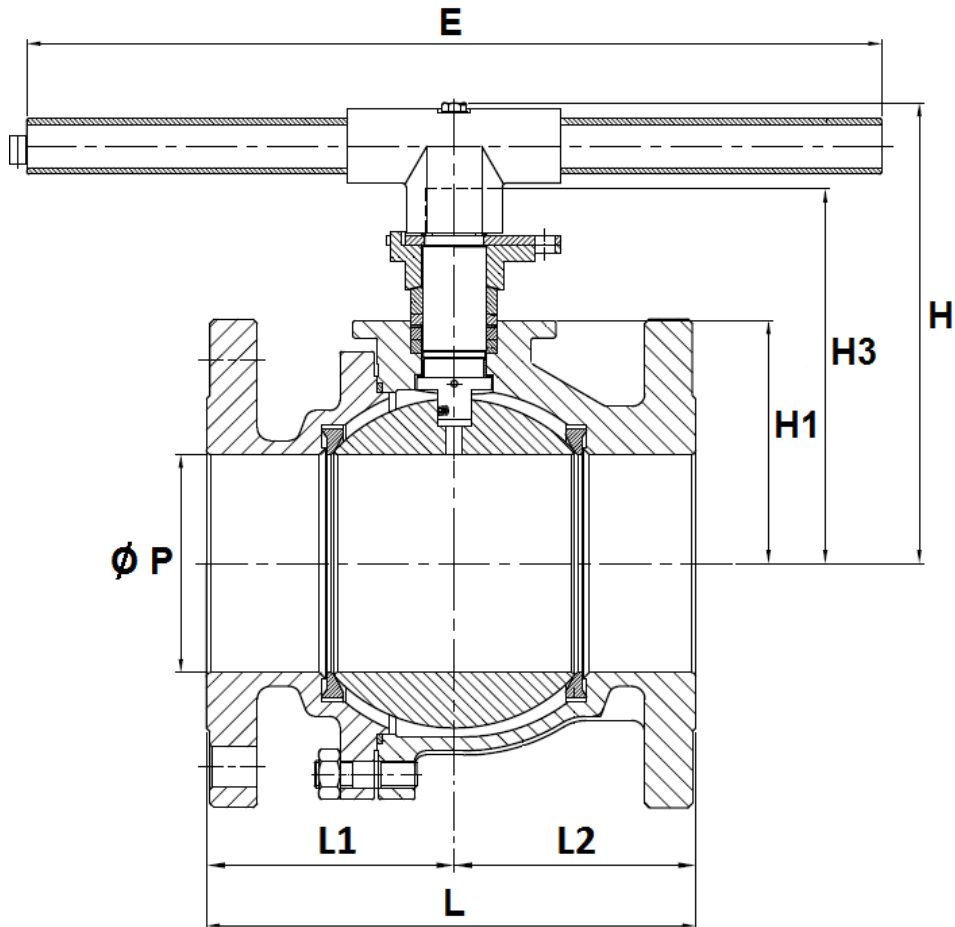


SECTORIEL S.A.
 45 rue du Ruisseau
 38290 SAINT QUENTIN-FALLAVIER – FRANCE
 Tél : +33 4 74 94 90 70 - Fax : +33 4 74 94 13 95
www.sectoriel.com / courrier : sectoriel@sectoriel.fr

Pages	4/8
Ref.	FT762+ADA ENG
Rev.	0
Date	10/2020

762-763 WITH ACTREG PNEUMATIC ACTUATOR

DIMENSIONS (mm) (DN65 to DN100)



DN	65	80	100
Ø P	64	76	98
L	170	180	190
L1	92,5	102,5	104,8
L2	77,5	77,5	85,2
E	400	400	400
H	188	194	215
H1	86.5	91.5	113.5
H3	152	158	179
Weight (kg)	14.4	17.5	23.3

Information given as an indication only, and subject to possible modification

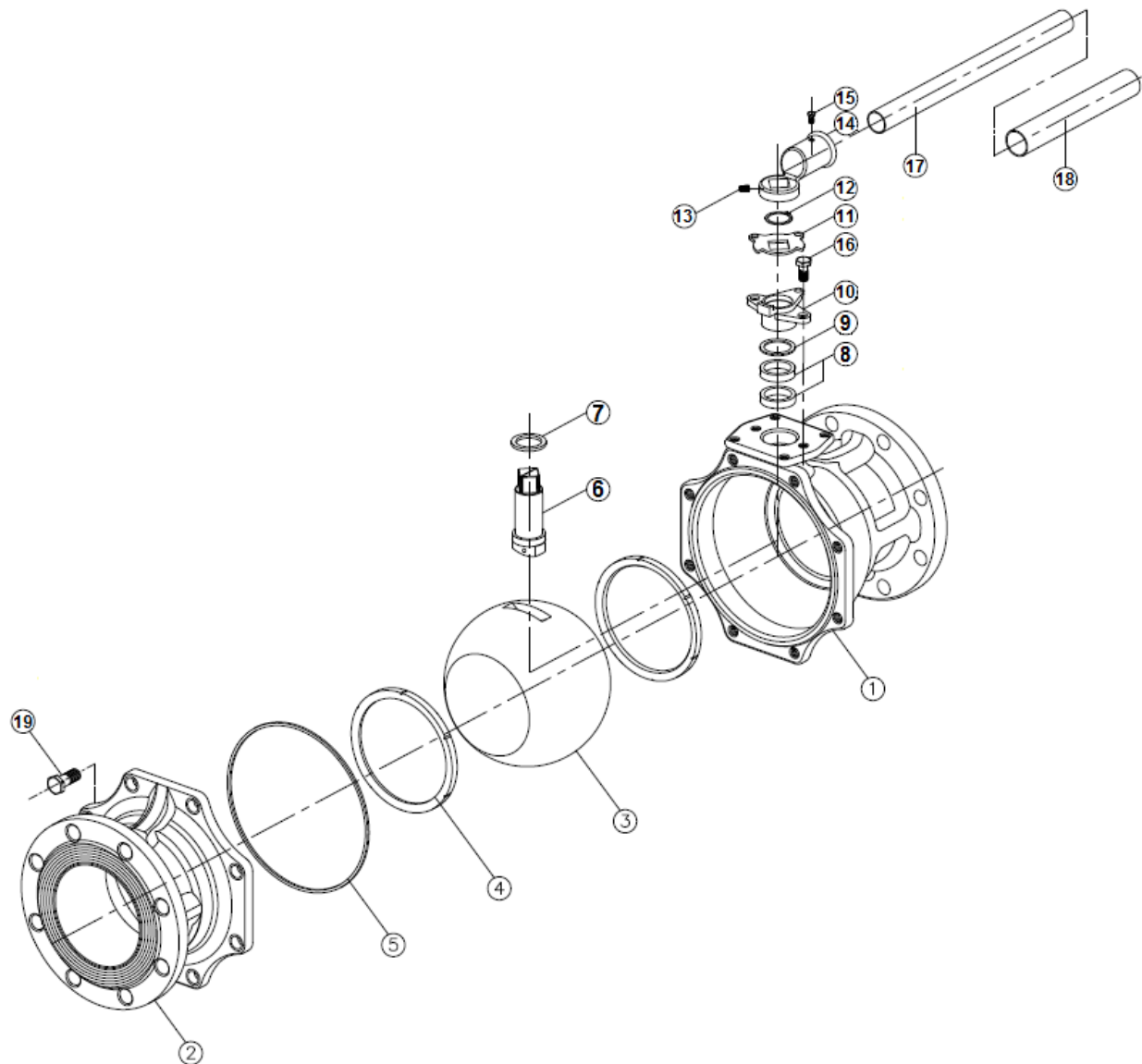


SECTORIEL S.A.
 45 rue du Ruisseau
 38290 SAINT QUENTIN-FALLAVIER – FRANCE
 Tél : +33 4 74 94 90 70 - Fax : +33 4 74 94 13 95
www.sectoriel.com / courrier : sectoriel@sectoriel.fr

Pages	5/8
Ref.	FT762+ADA ENG
Rev.	0
Date	10/2020

762-763 WITH ACTREG PNEUMATIC ACTUATOR

CONSTRUCTION (DN125 to DN200)



No.	Name	Steel	Stainless steel	No.	Name	Steel	Stainless steel
1	Body	1.0619 steel	1.4408 SS	11	Pin		304 SS
2	Ends	1.0619 steel	1.4408 SS	12	Circlips		304 SS
3	Ball	1.4408 SS	1.4401 SS	13	Handle adaptor screw		304 SS
4	Seat	PTFE filled with 15% glass		14	Handle adaptor		1.4308 SS
5	Body gasket	Graphite		15	Handle screw		304 SS
6	Stem	ASTM A276 316 SS		16	Paking gland screw		304 SS
SS7	Ring	PTFE filled with 25% carbon		17	Handle		304 SS
8	P.E. Packing	Graphite		18	Handle cover		PVC
9	P.E. Packing	PTFE filled with 25% carbon		19	Body scew		304 SS
10	Packing gland	304 SS	1.4308 SS				

Information given as an indication only, and subject to possible modification

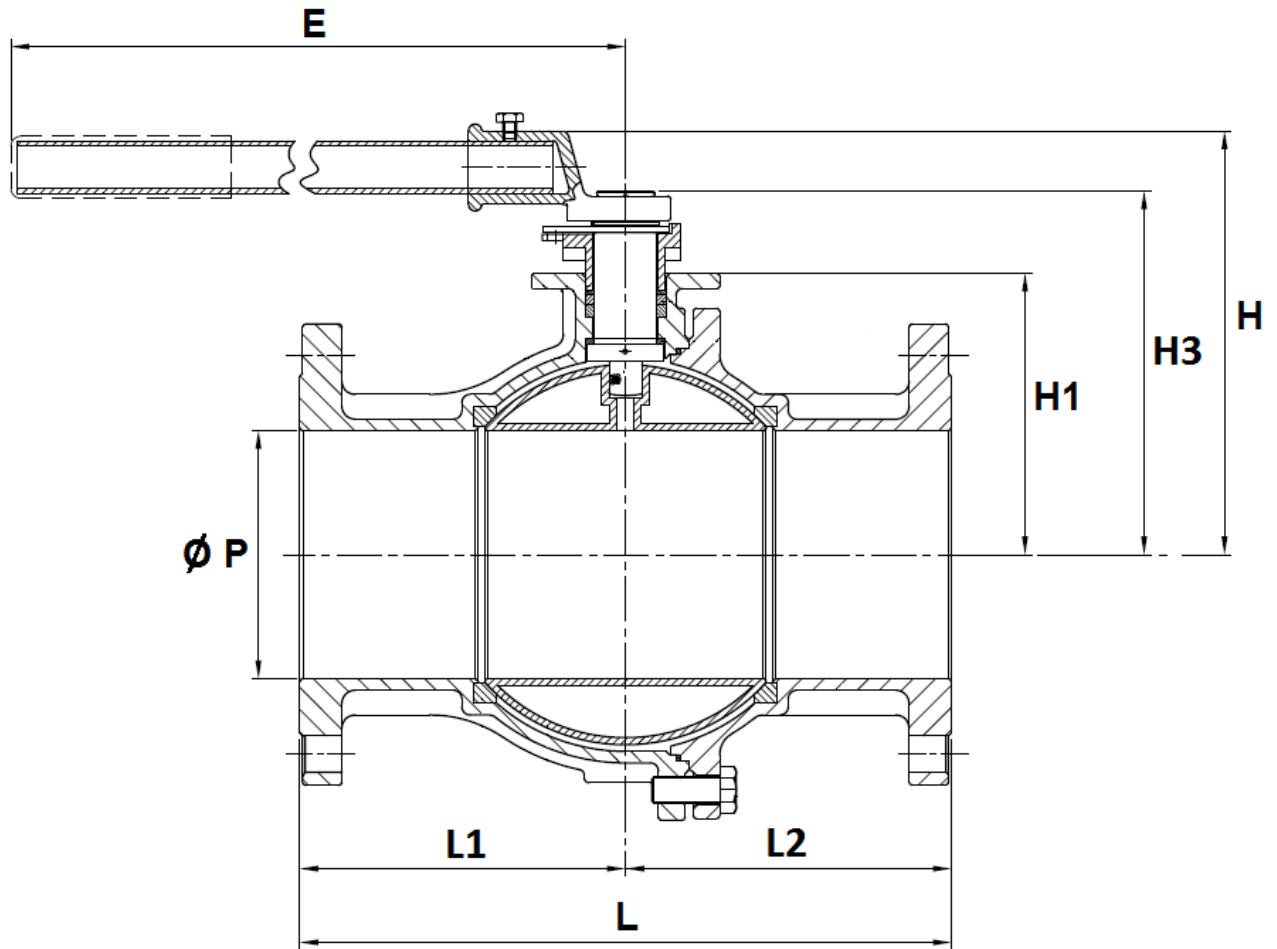


SECTORIEL S.A.
 45 rue du Ruisseau
 38290 SAINT QUENTIN-FALLAVIER – FRANCE
 Tél : +33 4 74 94 90 70 - Fax : +33 4 74 94 13 95
www.sectoriel.com / courrier : sectoriel@sectoriel.fr

Pages	6/8
Ref.	FT762+ADA ENG
Rev.	0
Date	10/2020

762-763 WITH ACTREG PNEUMATIC ACTUATOR

DIMENSIONS (mm) (DN125 to 200)



DN	125	150	200
Ø P	125	150	200
L	325	350	400
L1	161,25	175	197
L2	163,75	175	203
E	743	743	925
H	239.6	256.5	323.5
H1	147	170	201
H3	199	220	286,5
Weight (kg)	36.7	52	78

Information given as an indication only, and subject to possible modification



SECTORIEL S.A.
 45 rue du Ruisseau
 38290 SAINT QUENTIN-FALLAVIER – FRANCE
 Tél : +33 4 74 94 90 70 - Fax : +33 4 74 94 13 95
www.sectoriel.com / courrier : sectoriel@sectoriel.fr

Pages	7/8
Ref.	FT762+ADA ENG
Rev.	0
Date	10/2020

762-763 WITH ACTREG PNEUMATIC ACTUATOR

ACTREG PNEUMATIC MOTORISATION

The ACTREG motorisation proposed as standard comprises:

- rack and pinion actuator of anodised aluminium.
- a safety coefficient of 1.3 minimum compared to the nominal torque of the valve.
- air non-lubricated dry motor, minimum 6 bar pressure.
- an upstream / downstream pressure difference $\Delta P=10$ bar max.

The actuator assembly is of the following type :

- yoke + stainless steel drive according to the EN 15081 standard.

DN	Double effect	V (liters)	Time (s)*	Spring-return	V (liters)	Time (s)*
15	ADA 20	0,13	0,1	ASR 40	0,27	0,2
20	ADA 20	0,13	0,1	ASR 40	0,27	0,2
25	ADA 20	0,13	0,1	ASR 40	0,27	0,2
32	ADA 40	0,27	0,1	ASR 80	0,64	0,3
40	ADA 40	0,27	0,1	ASR 130	0,77	0,5
50	ADA 80	0,64	0,3	ASR 200	1,20	0,6
65	ADA 130	0,77	0,5	ASR 200	1,20	0,6
80	ADA 130	0,77	0,5	ASR 300	1,96	0,9
100	ADA 200	1,20	0,6	ASR 500	2,95	1,1
125	ADA 300	1,96	0,9	ASR 850	4,70	2,6
150	ADA 850	4,70	2,6	ASR 1200	6,95	1,1
200	ADA 850	4,70	2,6	-	-	-

For any other operating conditions, please contact us.

*indicative time of the no-load actuator for opening or closing.

INSTALLATION IN AN ATEX ZONE


For 762-763 + ACTREG automatic valves to be installed in ATEX 1, 2, 21 or 22 zones, this has to be specified when ordering. Our services will check of the assembly, the installation of an earthing braid, and will issue an assembly certificate. Our authorised technicians carry out these operations in the workshop. Please contact us.

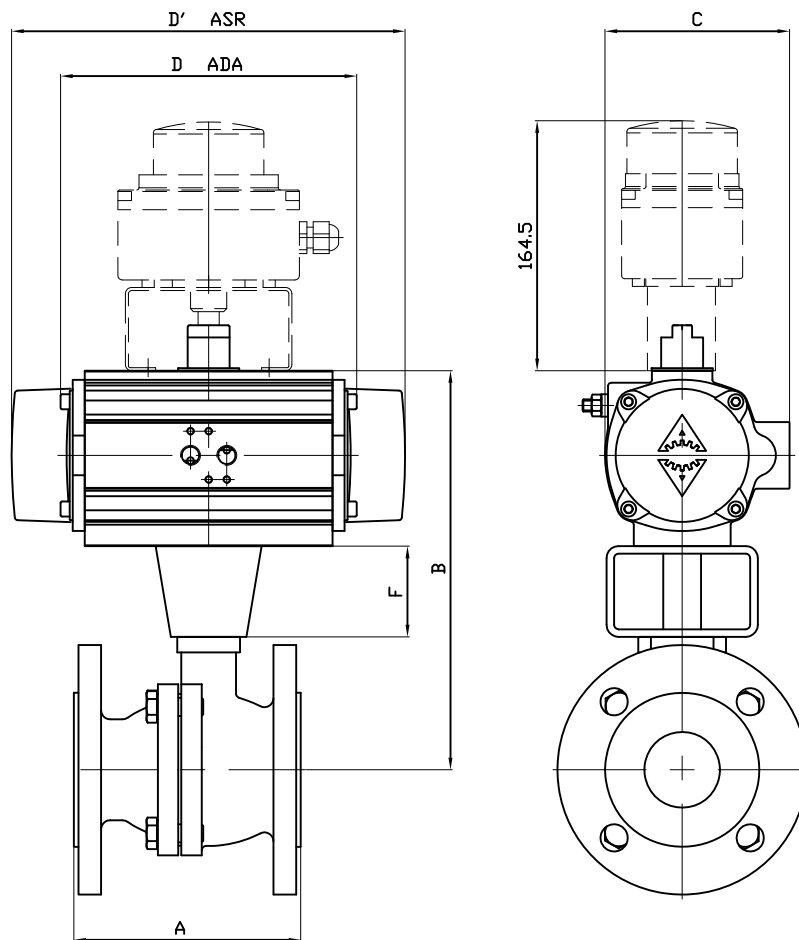
The special assembly and maintenance instructions for motorised valves in the ATEX zones must be followed.

OPTIONS OF MOTORISATION

1	actuators dimensioned for a compressed air pressure of 3, 4 or 5 bar
2	actuator dimensioned for an upstream / downstream pressure difference ΔP greater than 10 bar
3	manual override with declutchable gear box
4	compressed air filter regulator
5	All types of piloting solenoid valves
6	all types of switch boxes
7	all types of positioner
8	rapid exhaust, flow-rate limiters - exhaust brakes
OPTIONS ON THE VALVE	
1	Carbon steel body, 304 and 316 SS, bronze and aluminium
2	Carbon steel butterfly, 304 and 316 SS, copper-alu, Uranus, Hastelloy
3	Hypalon liner, silicone steam, white EPDM, natural rubber, neoprene, vulcanised
4	Stems of 420, 304, 316 SS, Hastelloy


Information given as an indication only, and subject to possible modification

	SECTORIEL S.A. 45 rue du Ruisseau 38290 SAINT QUENTIN-FALLAVIER – FRANCE Tél : +33 4 74 94 90 70 - Fax : +33 4 74 94 13 95 www.sectoriel.com / courrier : sectoriel@sectoriel.fr	Pages	8/8
		Ref.	FT762+ADA ENG
		Rev.	0
		Date	10/2020



DN	15		20		25		32		40		50		65		80		100	
ACTREG	ADA20	ASR40	ADA20	ASR40	ADA20	ASR40	ADA40	ASR80	ADA40	ASR130	ADA80	ASR200	ADA130	ASR200	ADA130	ASR300	ADA200	ASR500
A	115		120		125		130		140		150		170		180		190	
B	165	184	168.5	187.5	178	197	201	223	211	243	240	268	283.5	301.5	288.5	323.5	328.5	362.5
C	76	91	76	91	76	91	91	111	91	122	111	135.5	122	135.5	122	152.5	135.5	173
D	145	-	145	-	145	-	158	-	158	-	177	-	196	-	196	-	225	-
D'	-	163	-	163	-	163	-	217	-	258	-	299	-	299	-	348.5	-	397
F	60		60		60		60		60		60		80		80		80	
KG	4.15	5.14	4.85	5.8	5.66	6.61	7.99	9.7	9.11	12.1	13.12	17.5	20.91	24.5	27.91	35.1	37.83	48.15
DN	125		150		200													
ACTREG	ADA300	ASR850	ADA850	ASR1200	ADA850	-												
A	325		350		400													
B	399	438	461	489	492	-												
C	152.5	191.5	191.5	212.5	191.5	-												
D'	304	-	424	-	482	-												
D	-	473	-	560	-	-												
F	100		100		100													
KG	58.82	66.18	85.1	104.6	100.4	-												

Informations données à titre indicatif et sous réserve de modifications éventuelles
data subject to alteration

Ech: /	Date :05/11/2020	Dessiné par : E.D.	Tolérances générales : +/- 0.2	Modifications	Date	REV.
ROBINET A TOURNANT SPHERIQUE 762-763HTM/BALL VALVE 762-763HTM + ACTIONNEUR ACTREG + BFC/PNEUMATIC ACTUATOR ACTREG + LIMIT SWITCH BOX				Matière :		
				Poids (Kg) :		
				Traitement : SANS		
45, Rue du Ruisseau 38297 SAINT QUENTIN FALLAVIER				Plan n° Ens 1459		



The art of power and perfection



PNEUMATIC ACTUATORS





The art of power and perfection

RACK AND PINION
Aluminium housing

TORQUES UP TO
6,500 Nm

ACTUATORS IN
14 different sizes

We are a manufacturer of rack and pinion aluminium housing actuators with torque figures up to 6,500 Nm and scotch yoke actuators for heavy duty service up to 250,000 Nm. Our products offer reliable and dependable service for ¼ turn valves.

Engineered and built to withstand most of the applications and environmental conditions, the precision in design and quality provides a long and safe operational performance in valve control.

ACTREG has invested in quality assurance, state-of-the-art machining and testing facilities in order to assist customers in safely controlling their processes.

ACTREG engineers are happy to help you with your automation demands.



The art of power and



SCOTCH YOKE
Heavy duty service

TORQUES UP TO
250,000 Nm

ACTUATORS IN
25 different sizes

Certificates

ACTREG, S.A. has a quality Management System certified in accordance with the requirements of ISO 9001:2008 for the design, development, manufacturing and distribution of pneumatic actuators and accessories for valves. Certified by BVQI No. ESPMDD005463.

ADA/ASR 10 up to ADA/ASR 300 are classified as category SEP in accordance with the requirements of Pressure Equipment Directive 97/23/EC. ADA/ASR 500 up to ADA/ASR 4000 are classified as Category I, Procedure module A.

All ACTREG pneumatic actuators are classified for use in potentially explosive atmospheres as Group II Category 2, suitable for zones 1, 2, 21 and 22 in accordance with Annex VIII of Directive 94/9/CE (ATEX). Technical file is deposited in LCIE, No. LCIE 05 AR 022.

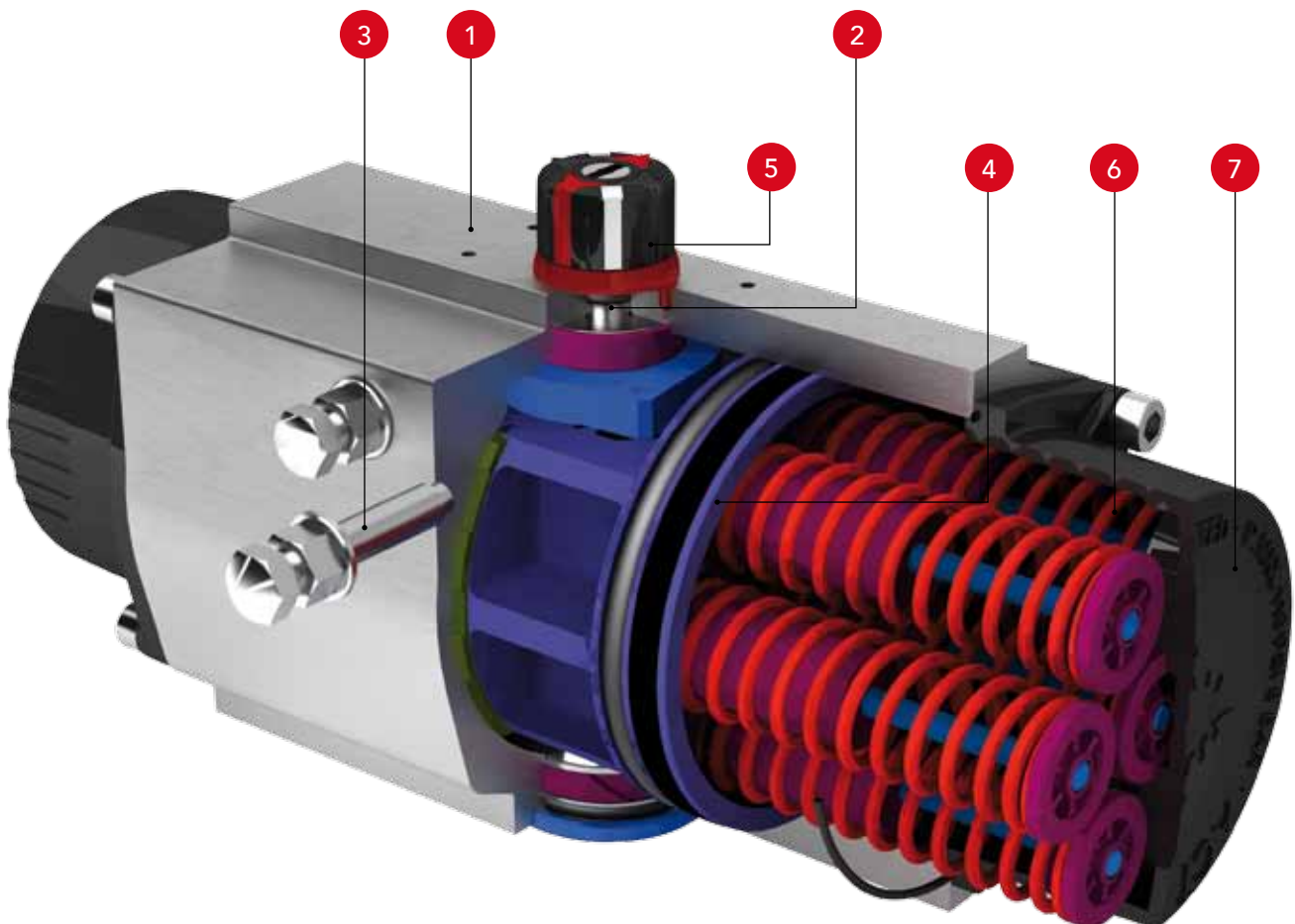
ACTREG pneumatic actuators have got SIL 3 (Safety integral level 3) certificate. The ACTREG actuators meets manufacturer design process requirements of Safety integral Level (SIL) 3. This is intended to achieve sufficient integrity against systematic errors of design by the manufacturer.



perfection

MAIN FEATURES & CHARACTERISTICS

- 1 BODY**
The aluminium body is inside and outside coated with hard anodizing, with extremely abrasion resistance, low surface roughness and optimal resistance.
 - 2 PINION**
Carbon steel shaft electroless nickel plated against external and internal corrosion. Anti-blowout design.
 - 3 ADJUSTMENT STROKE**
External stroke adjustment for 5 degrees regulation, placed on the opposite side of Namur connection for better manipulation when the solenoid valve is assembled.
 - 4 PISTONS**
Pistons are coated with special treatment for corrosion resistance. Backlash is avoided by a special tooth machining. The pistons have a 3 way guide for low friction between body and pistons. The pistons are also provided with an integral guide machined between pistons and pinion.
 - 5 POSITION INDICATOR**
Multi-function indicator suitable for mechanical or inductive switches is a standard feature. Many different combinations without the need to buy external indicators.
 - 6 SPRINGS**
Pre-stressed springs offers more torque and different options for their positioning. This system allows us to easily fit the necessary torque to close or open the valve, offering a total safety replacement and manipulation.
 - 7 END CAPS**
Different end caps for double or single acting for fast and safety identification without the need to read the label. End caps are epoxy coated as standard protecting them against environment corrosion.
- + Every single actuator is tested and provided with a unique serial number for traceability. This heat number is stamped on the body.
 - + The assembly of switch boxes, proximity switches or positioners, takes place by means of the Namur connection VDI/VDE 3845, which is a standard feature in all our models. The height of the axis to fulfil this Norm is of 30 mm, for all our products, with which it entails that with a single model of Box or positioner, we can cover all our manufacturing range.



Types of Actuators

Double Acting & Spring Return



ADA
DOUBLE
ACTING
ACTUATOR



ASR
SPRING
RETURN
ACTUATOR

Rack and pinion design | Linear torque | Rotation angle $90^\circ \pm 5^\circ$ | Antifriction sliding bearings | Long life without maintenance | Total safety for springs replacement | Mounting of solenoid valves acc. NAMUR Std. | Mounting of devices acc. NAMUR VDI/VDE 3845 Std. | Coupling according to ISO 5211 and DIN 3337 (Octagonal drive) | Multi-function position indicator suitable for mechanical and inductives direct switches.

Working temperature:

- 30 °C to 100 °C in Standard Construction.
- 15 °C to 150 °C with FKM O-rings (high temperature execution).
- 40 °C to 80 °C with Silicone O-rings (low temperature execution).
- 55° C to 80° C with Silicone O-rings and 316 pinion (extreme low temperature).

Maximum working pressure:

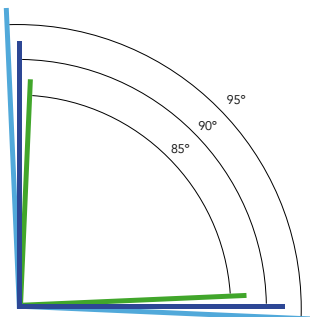
8 bar (116 psig). (Except ADA10 at 10 bar)

Bi-Directional Travel Stops

ACTREG pneumatic actuators are provided with bi-directional pinion travel stops.

Side located stops allow a full $\pm 5^\circ$ travel adjustment between 85° and 95° . These travel stops are designed to absorb the maximum rated torque of the actuator and the maximum impact loads associated with recommended travel speed.

Adjustment of the counterclockwise and clockwise rotation limits is accomplished by unscrewing the locking nuts, turning the respective left and right stop studs to reduce or increase the travel angle and screwing the locking nuts.



Options On Request

- Stainless steel pinion (grade 304 and 316).
- Fast acting actuators.
- Actuators with 100% travel adjustment stroke.
- Actuators fire proof (K-mass, blanket, other executions,...).

Coatings for special applications

Actreg Pneumatic actuators shall be protected against external corrosion resistant by proper material selection or surface treatment. Actreg coatings are according to EN 15714-3 and are indicated to:

Standard execution

Anticorrosive C3 according EN-ISO 12944-2

PARTS & PROTECTION	DESCRIPTION	COATING
BODY	Hard anodized	25 - 30 μm
END CAPS	Epoxy painted	80 - 90 μm
STEM	Carbon steel + ENP	25 - 30 μm

Execution A1

Anticorrosive C5-I according to EN-ISO 12944-2

PARTS & PROTECTION	DESCRIPTION	COATING
BODY	Epoxy painted	80 - 90 μm
END CAPS	Epoxy painted	80 - 90 μm
STEM	SS 304	

Execution A2

Anticorrosive C5-M according to EN-ISO 12944-2

PARTS & PROTECTION	DESCRIPTION	COATING
BODY	Epoxy painted	80 - 90 μm
END CAPS	Epoxy painted	80 - 90 μm
STEM	SS 316	

Execution B

Anticorrosive C4 according to EN-ISO 12944-2

PARTS & PROTECTION	DESCRIPTION	COATING
BODY	Epoxy painted	80 - 90 μm
END CAPS	Epoxy painted	80 - 90 μm
STEM	Carbon steel + ENP	25 - 30 μm

Execution C

Anticorrosive C5-I according to EN-ISO 12944-2

PARTS & PROTECTION	DESCRIPTION	COATING
BODY	Hard anodized + ENP	25 - 30 μm
END CAPS	ENP	80 - 90 μm
STEM	Carbon steel + ENP	25 - 30 μm

Multi-function position indicator



Inductive switch indicating open or closed position



Mechanical switches indicating open and close



Inductive switches indicating open and closed position



Namur connection for direct mounting switch box



Inductive switches indicating open and closed position (45° detecting switches...)

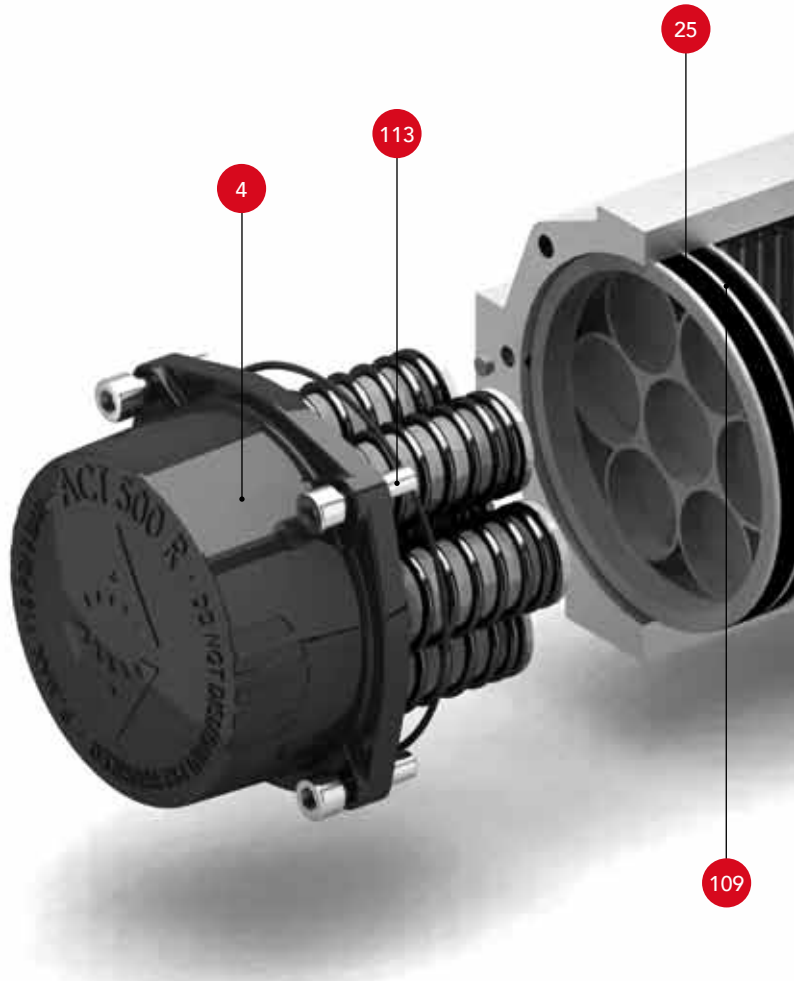


Inductive switches indicating open and closed position (up/down detecting switches...)

PARTS & MATERIALS

- 1 Body
Aluminium Hard Anodized
- 2 Piston
Aluminium
- 3 Pinion
Nickel Plated Carbon Steel
- 4 End Caps
Aluminium Epoxy Coated
- 5 Soft Pinion Washer *
Polyamide PA 6,6
- 6 Slide Piston *
Polyamide PA 6,6 + 30% G.F.
- 7 Lug **
Nickel Plated Carbon Steel
- 8 Pinion Washer
Stainless Steel
- 10 Upper Pinion Bearing
Polyamide PA 6,6 Size 500 & greater in Reinforced Br.
- 12 Stop
ASTM A 105
- 14 Spring's Long Support
Polyamide PA 6,6
- 15 Spring's Short Support
Polyamide PA 6,6
- 16 Leveling Screw
Stainless Steel
- 18 Bolt
Stainless Steel
- 19 Spring
DIN 2076 · D-5.6
- 20 Position Indicator
Polypropylene
- 21 Cam
Polypropylene
- 23 Centering Ring
Nickel Plated Carbon Steel
- 25 Slide Guide *
Polyamide PA 6,6 + 30% G.F.
- 26 Lower Pinion Bearing *
Polyamide PA 6,6
- 41 Stop Washer Pinion **
Stainless Steel
- 109 O-Ring *
NBR
- 110 O-Ring *
NBR

SPRING RETURN ACTUATOR (ASR)



- 111 O-Ring *
NBR
- 113 Bolt
Stainless Steel
- 118 O-Ring *
NBR
- 119 O-Ring *
NBR
- 125 Washer
Stainless Steel
- 471 Slip Washer *
Stainless Steel
- 934 Nut
Stainless Steel
- 985 Nut
Stainless Steel

POSITION INDICATOR

FROM SIZE 20 TO 850



Inserts
Stainless Steel

FROM SIZE 1200 TO 4000



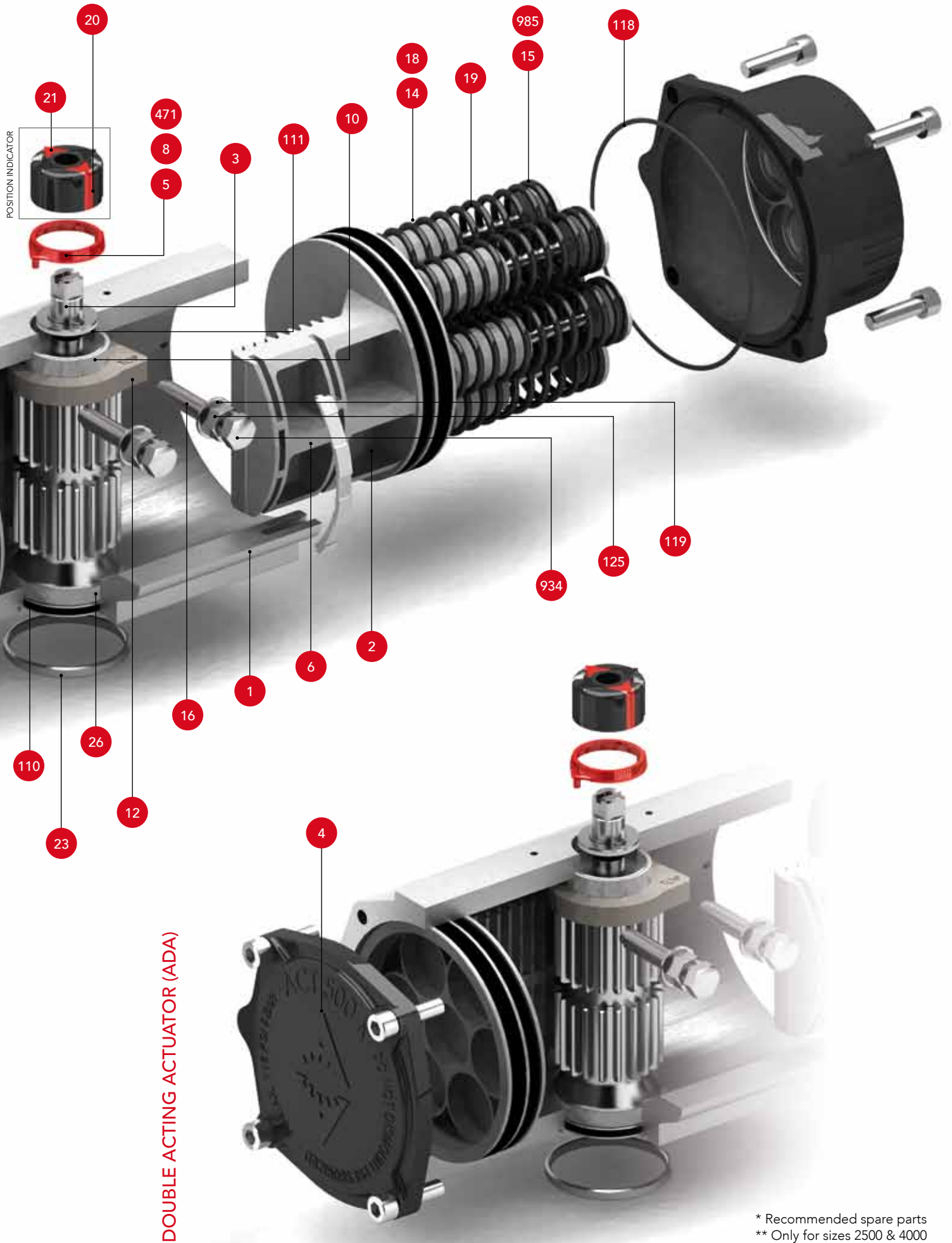
Position indicator & Cams
Polypropylene

25

4

113

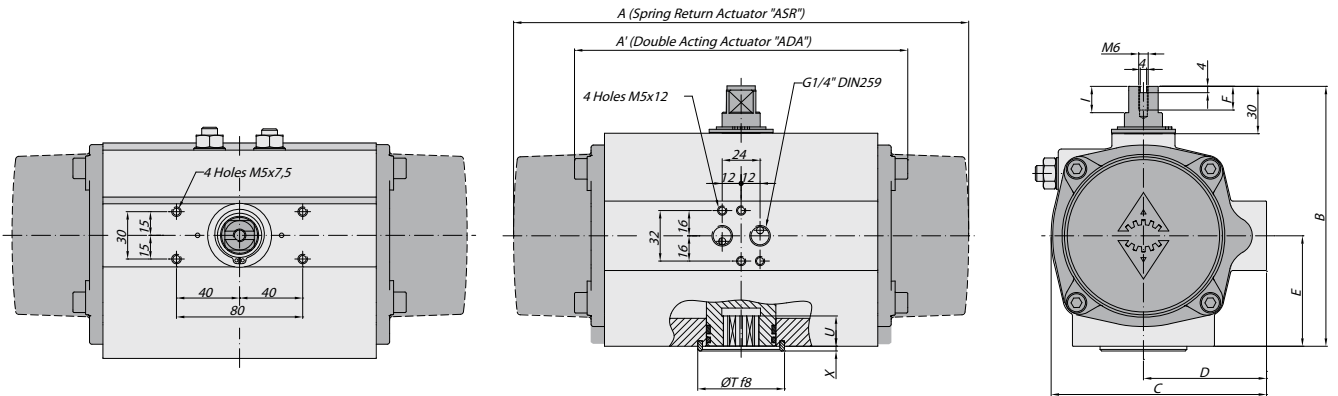
109



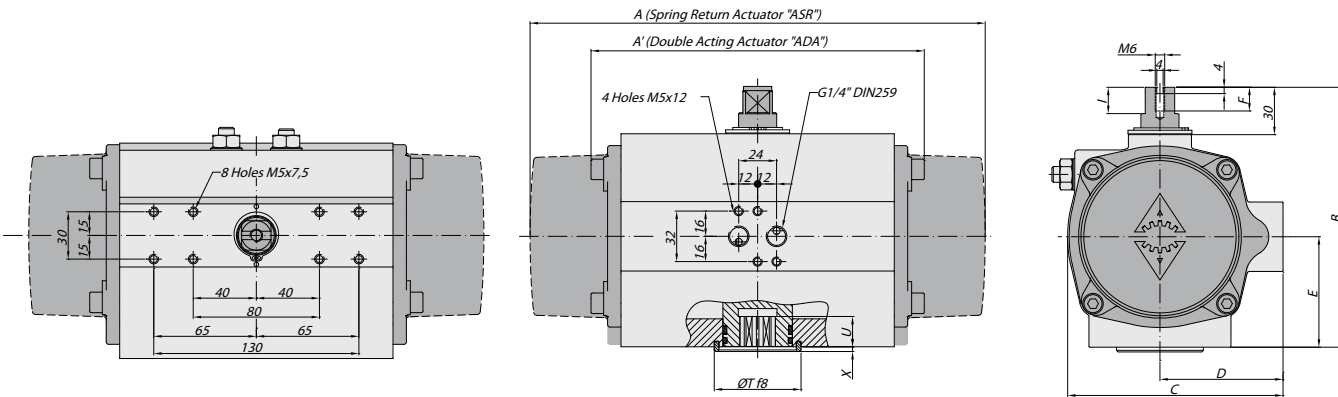
* Recommended spare parts
 ** Only for sizes 2500 & 4000

GENERAL DIMENSIONS

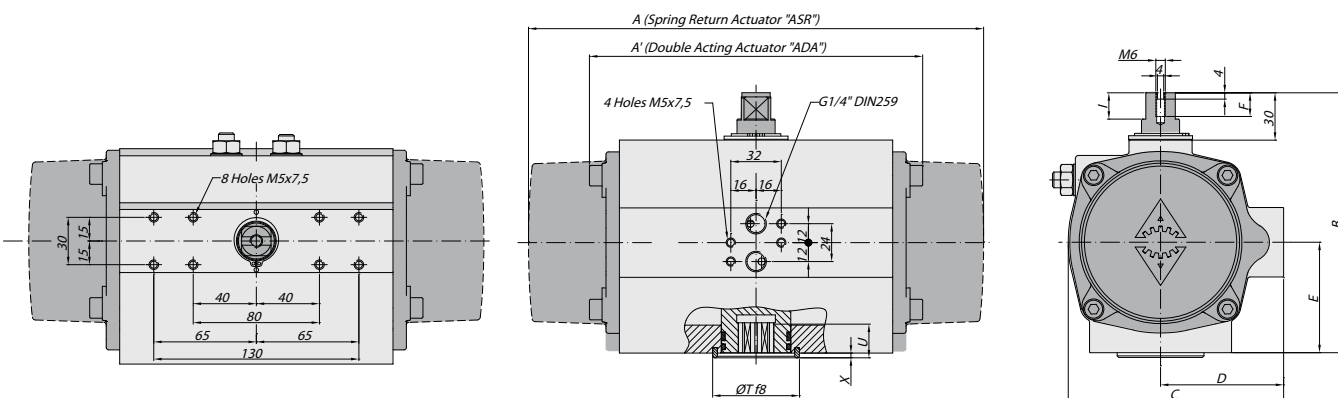
SIZES 10 | 20 | 40 | 80 | 130 | 200 | 300 | 500 | 850



SIZES 1200 | 1750



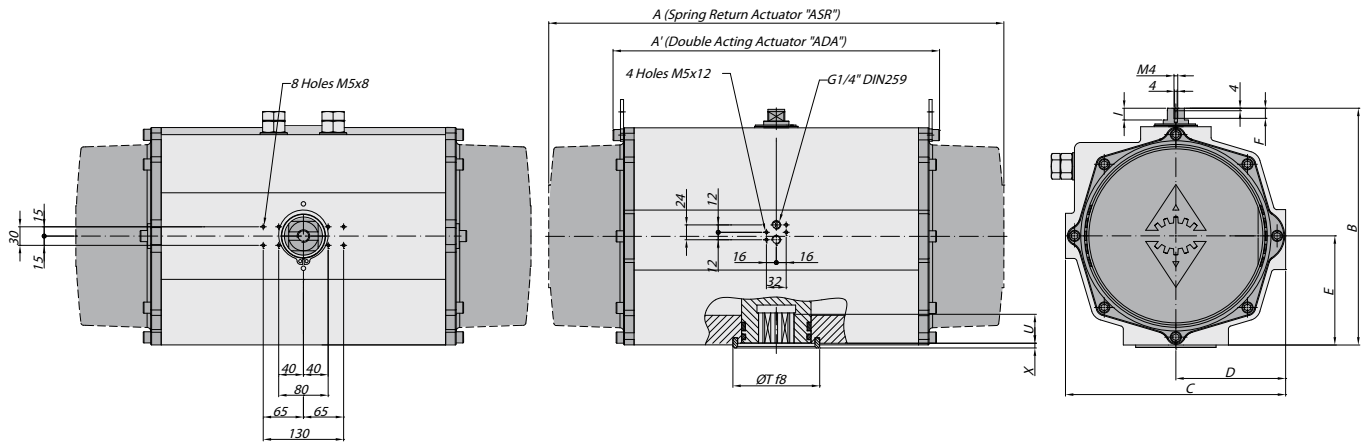
SIZES 2100



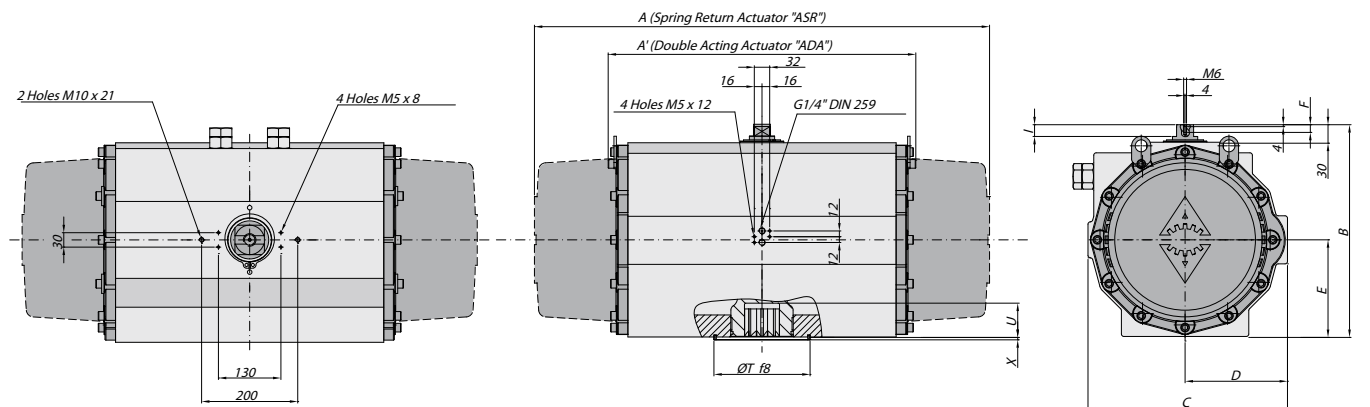
DOUBLE ACTING & SPRING RETURN ACTUATORS GENERAL DIMENSIONS in mm

SIZE	A	A'	B	C	D	E	F	I	R	øS	ISO 5211	øL	MxV	ISO 5211	øL1	M1xV1	øT	X	U
10	-	100	76	56	33	23	9	6	9	12.5	F03	36	M5x8	-	-	-	11	2	12
20	163	145	96	76	48	34	9	12.5	9	12.5	F03	36	M5x8	F05	50	M6x10	25	2	10
20	163	145	96	76	48	34	9	12.5	14	18.1	F05	50	M6x10	-	-	-	35	3	12
20	163	145	96	76	48	34	9	12.5	14	18.1	F04	42	M5x10	-	-	-	35	3	12
40	195	158	115	91	56	45	9	12.5	14	18.1	F04	42	M5x10	-	-	-	35	3	12
40	195	158	115	91	56	45	9	12.5	14	18.1	F05	50	M6x10	-	-	-	35	3	12
80	217	177	137	111	66	55	12	12.5	17	22.5	F05	50	M6x10	F07	70	M8x16	55	3	19
130	258	196	147	122	71	60	12	12.5	17	22.5	F05	50	M6x10	F07	70	M8x16	55	3	22
200	299	225	165	135.5	78	70	12	12.5	17	22.5	F07	70	M8x16	F10	102	M10x16	55	3	23

SIZES 2500



SIZES 4000



ISO 5211 DETAIL

SIZES

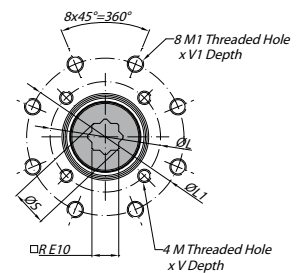
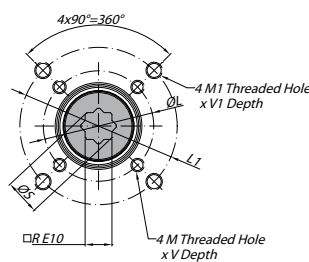
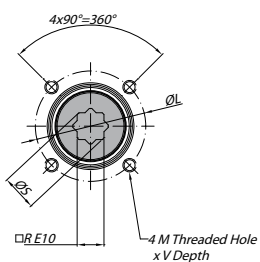
10 | 20 | 40 | 500 | 1750 | 2100 | 2500

SIZES

20 | 80 | 130 | 200 | 300 | 850 | 1200

SIZES

4000



DOUBLE ACTING & SPRING RETURN ACTUATORS GENERAL DIMENSIONS in mm

SIZE	A	A'	B	C	D	E	F	I	R	øS	ISO 5211	øL	MxV	ISO 5211	øL1	M1xV1	øT	X	U
300	348.5	273	182	152.5	86	80	12	12.5	22	28.5	F07	70	M8x16	F10	102	M10x16	70	3	24
500	397	304	199	173	96	85	12	12.5	22	28.5	F10	102	M10x16	-	-	-	70	3	32
850	473	372	221	191.5	106	98	12	12.5	27	36.5	F10	102	M10x17	F12	125	M12x20	85	3	39
1200	560	439	249	212.5	116	114	16	18.6	36	48.5	F10	102	M10x17	F14	140	M16x26	100	4	48
1750	601	461	280	242.5	131	130	16	18.6	36	48.5	F14	140	M16x26	-	-	-	100	4	50
2100	702	510	313	276.5	148	147	16	18.6	46	60.1	F16	165	M20x29	-	-	-	130	4	50
2500	738	518	383	356	177.5	176.5	16	18.6	46	60.2	F16	165	M20x29	-	-	-	130	4	58
4000	940	630	434	415	213	201	16	18.6	55	72.5	F16	165	M20x30	F25	254	M16x30	200	4	60

